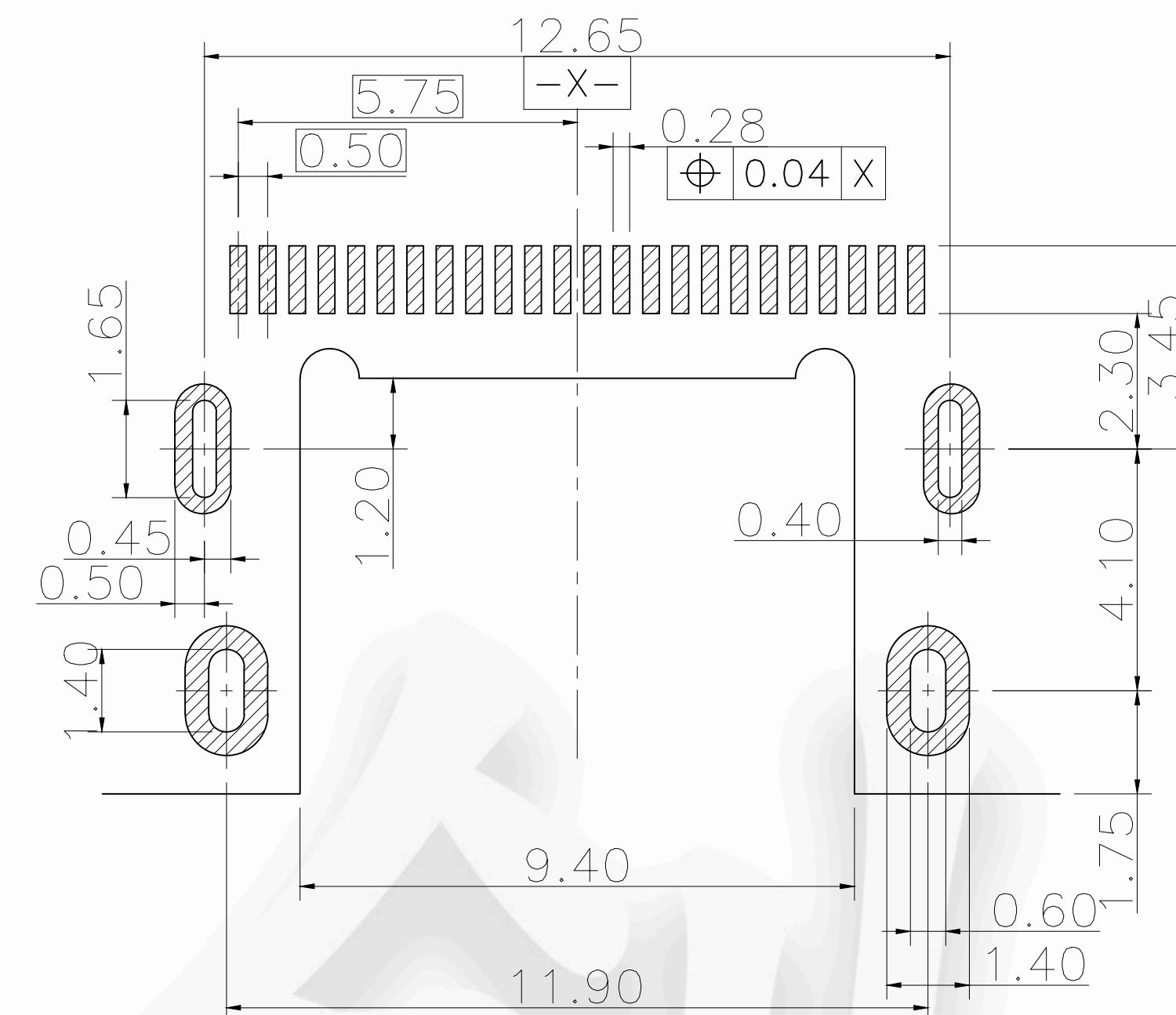
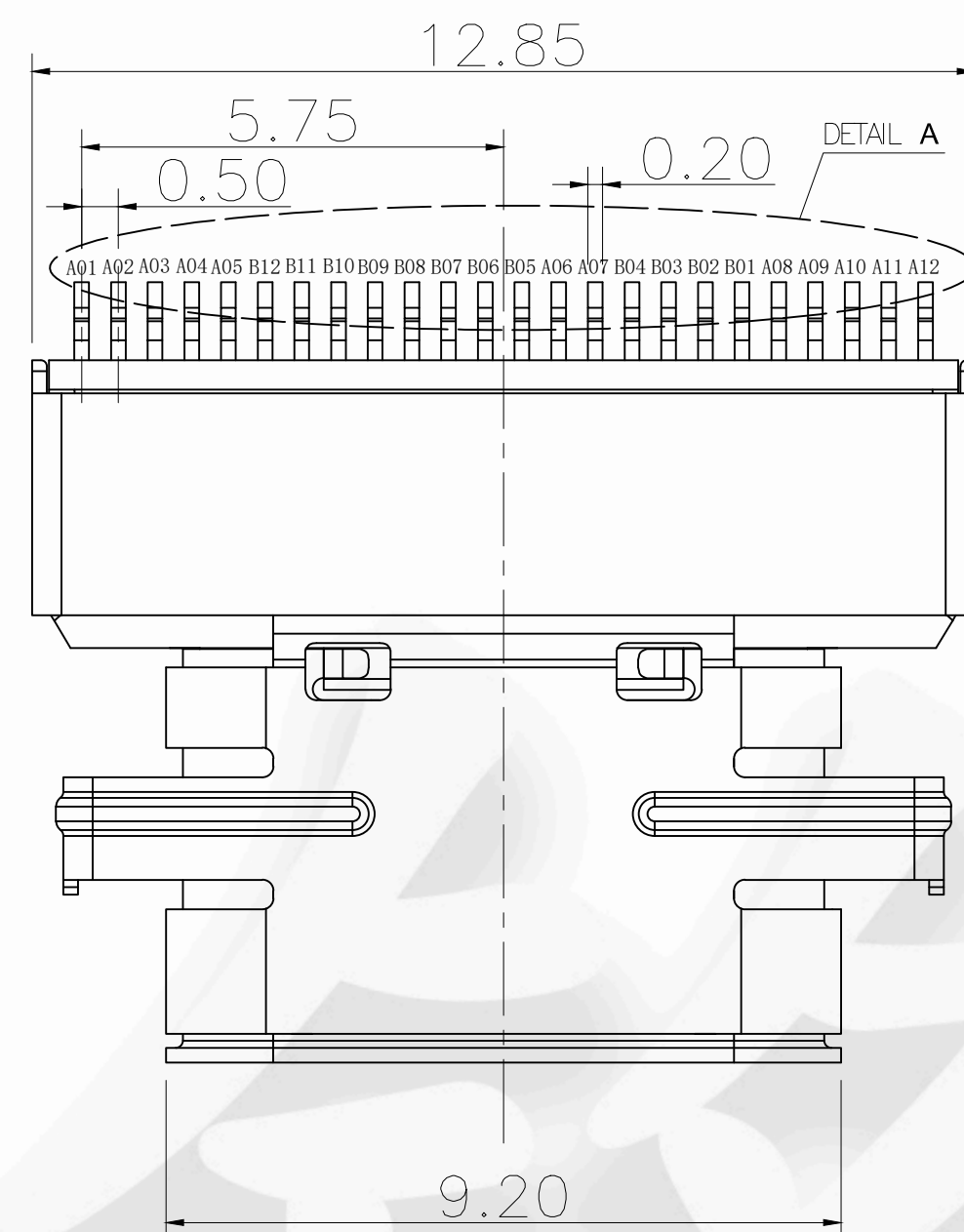




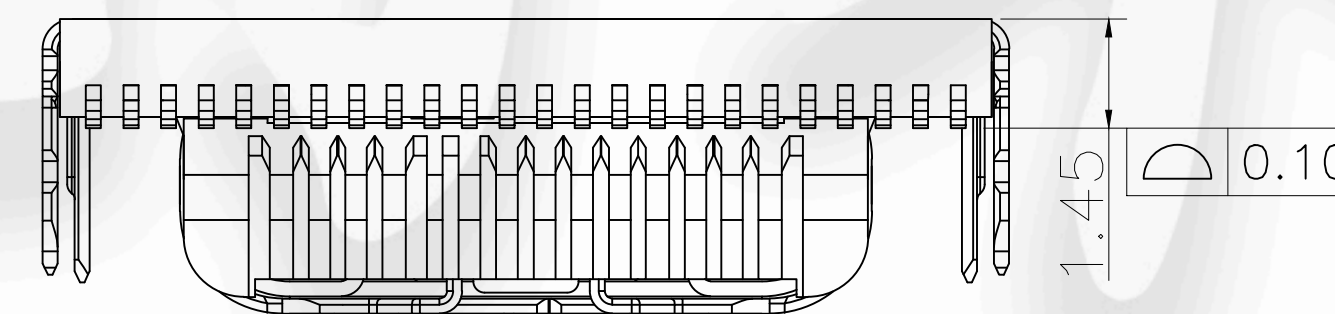
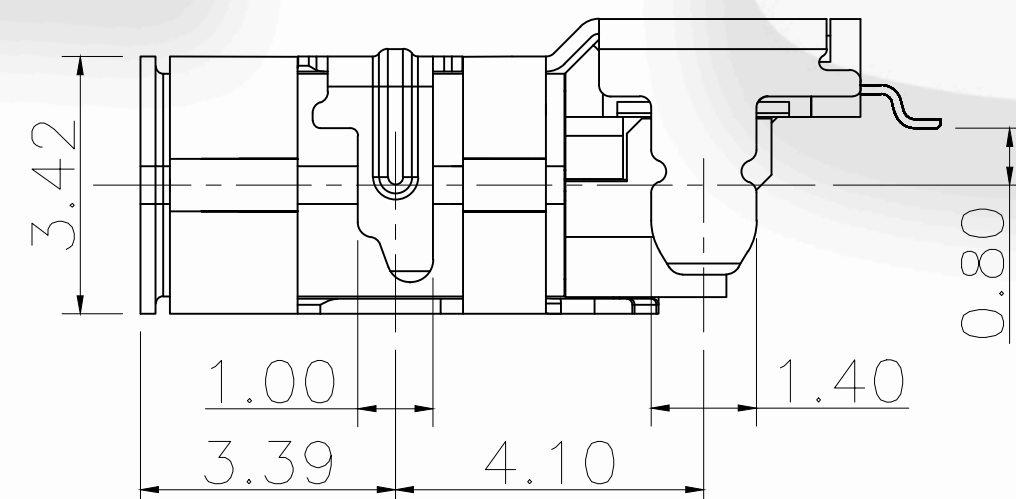
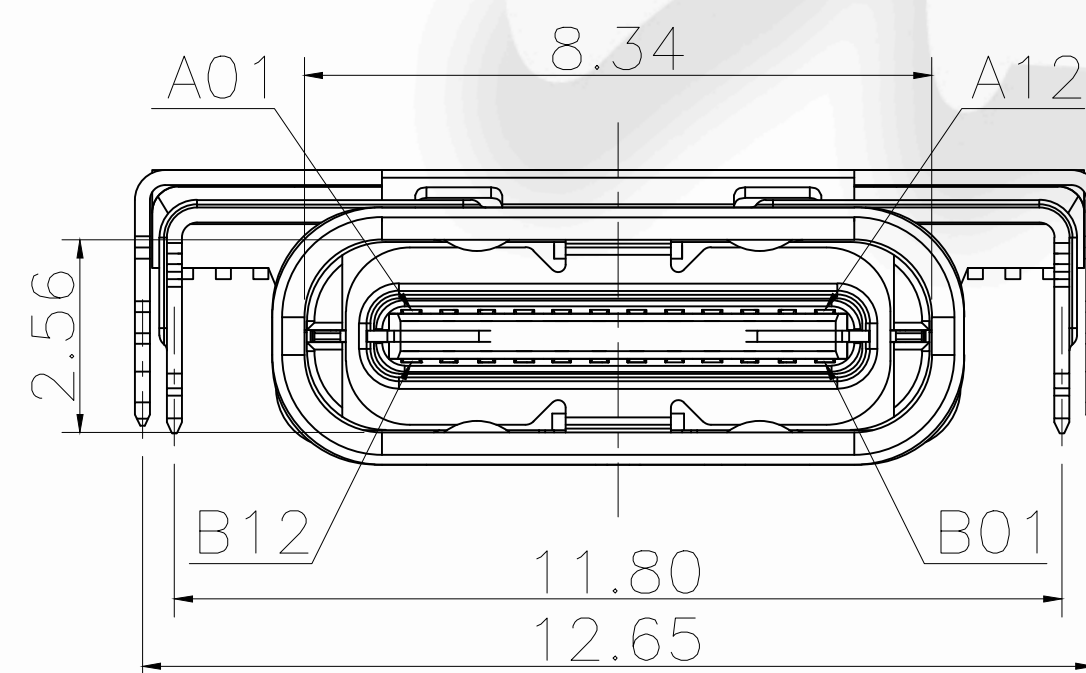
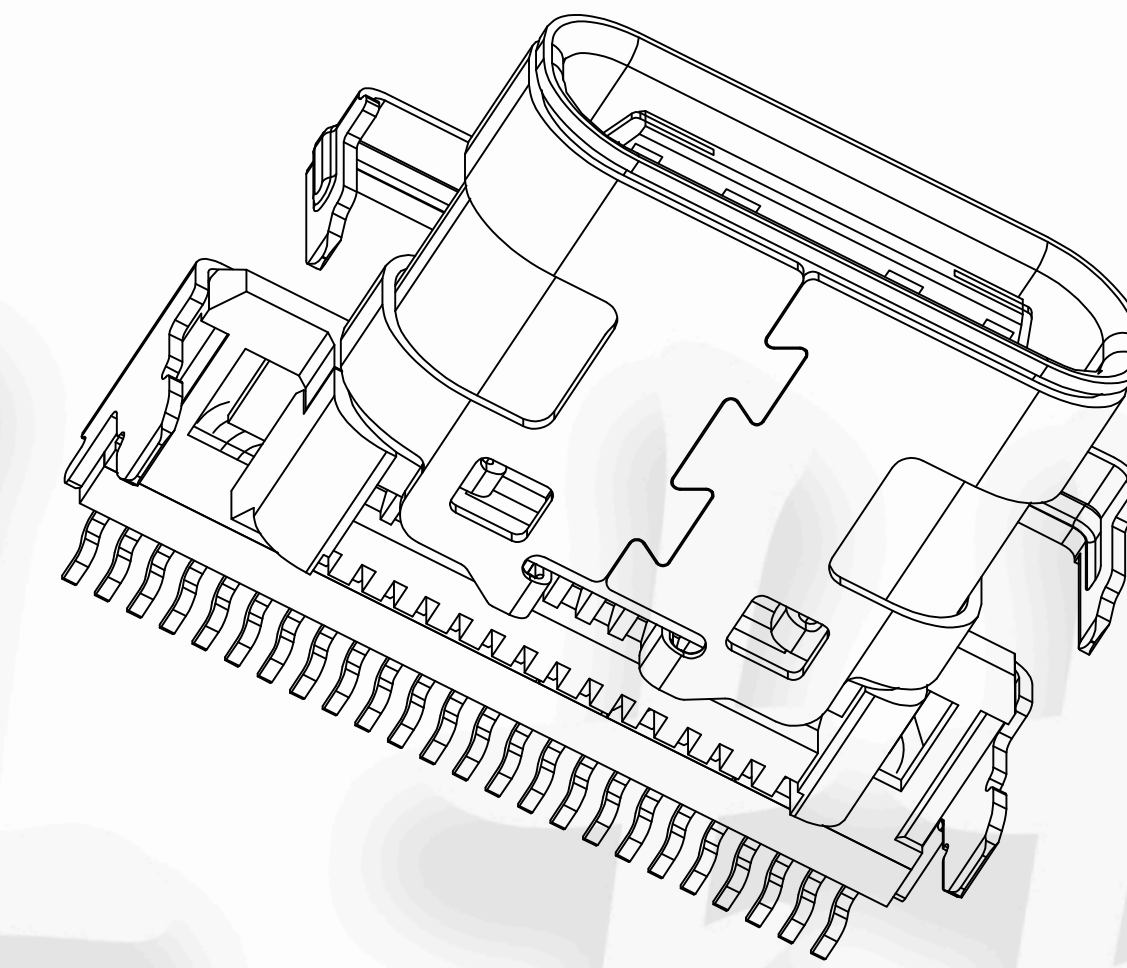
REV	DESCRIPTION	DATE	APPROVED

备注:

1. 材质:  
胶芯: (见料号说明).  
端子: COPPER ALLOY.  
外壳: SUS.
2. 电镀:  
端子: 接触区镀金(见料号说明), 焊锡区镀锡50u"MIN.  
外壳: 镀镍30u"MIN.

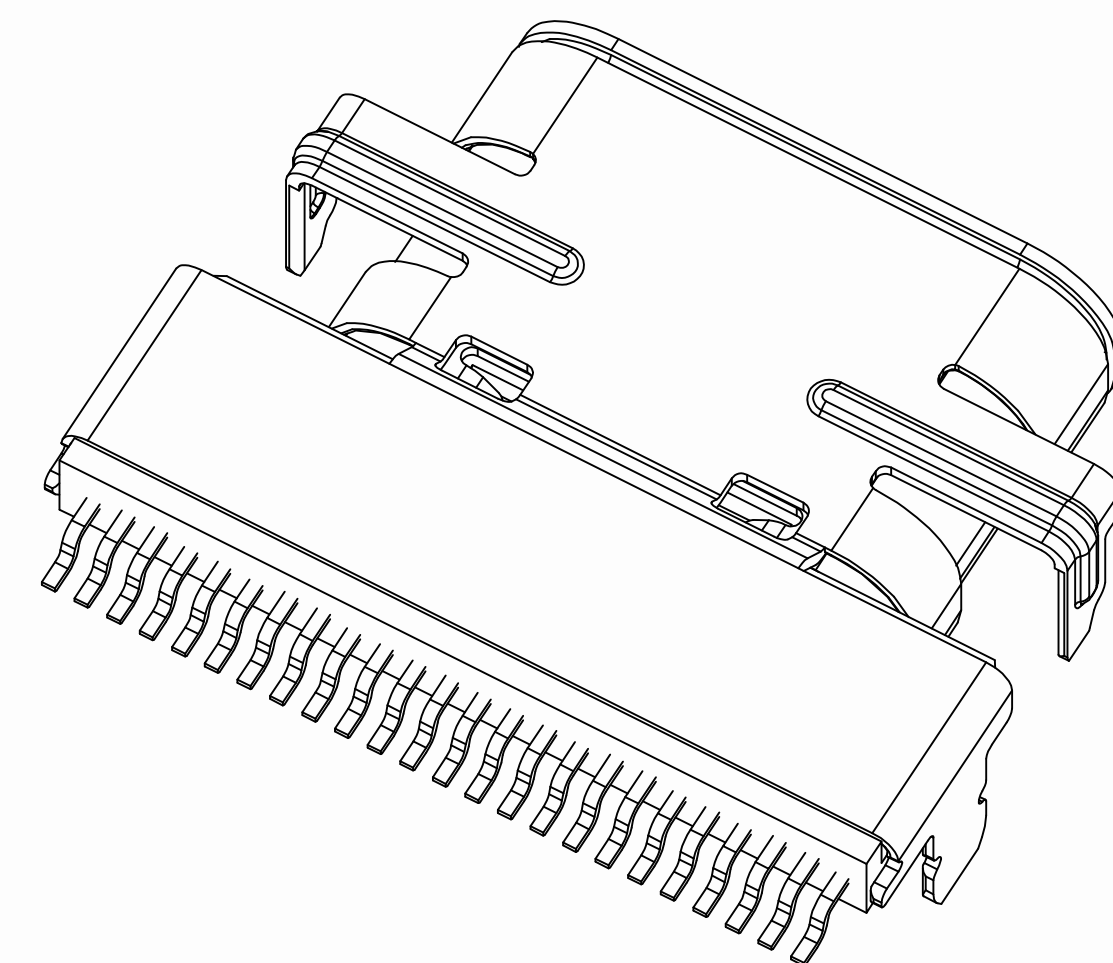
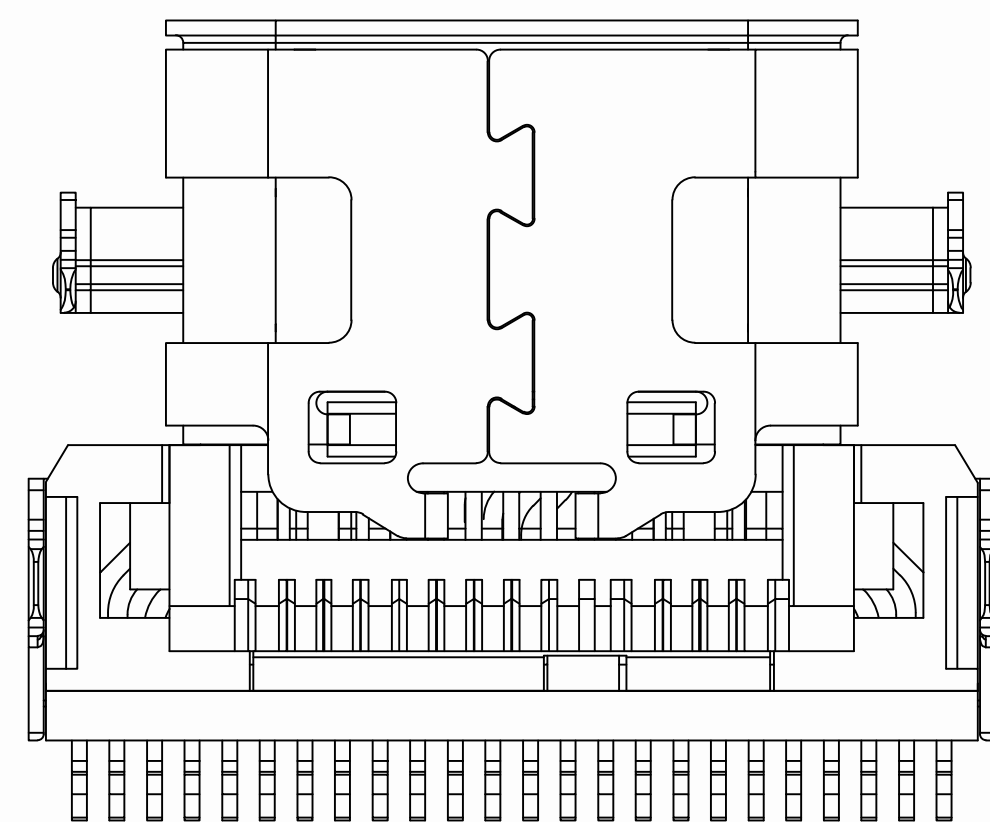


RECOMMEND P.C.B LAYOUT (THICKNESS 1.6mm)  
(COMPONENT SIDE) TOLERANCE±0.03mm



A01 A02 A03 A04 A05 B12 B11 B10 B09 B08 B07 B06 B05 A06 A07 B04 B03 B02 B01 A08 A09 A10 A11 A12

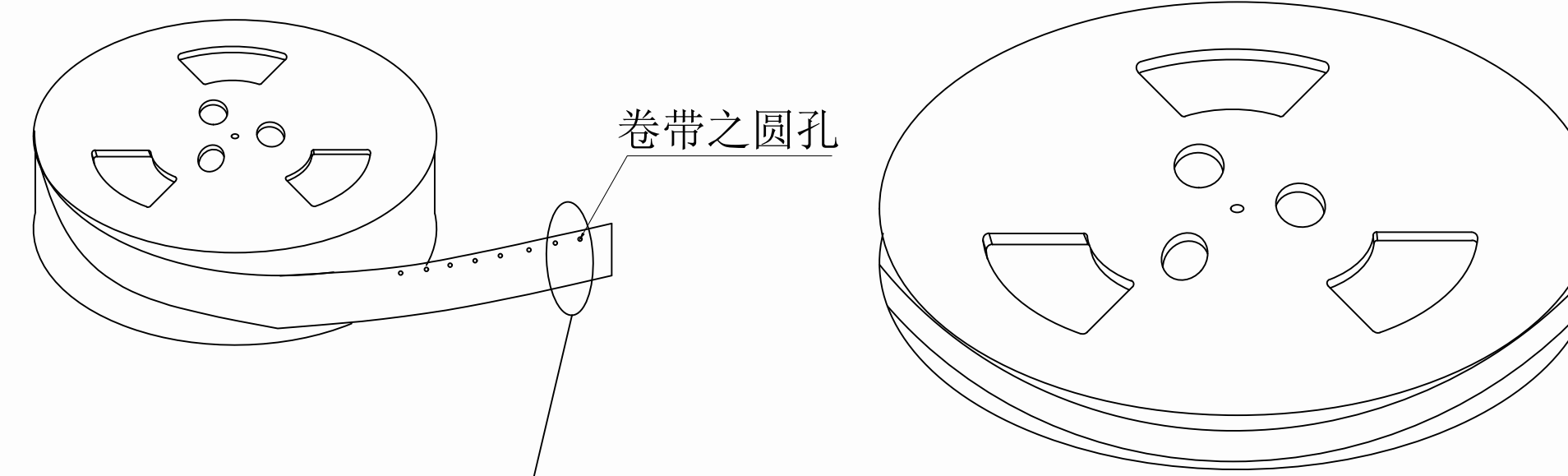
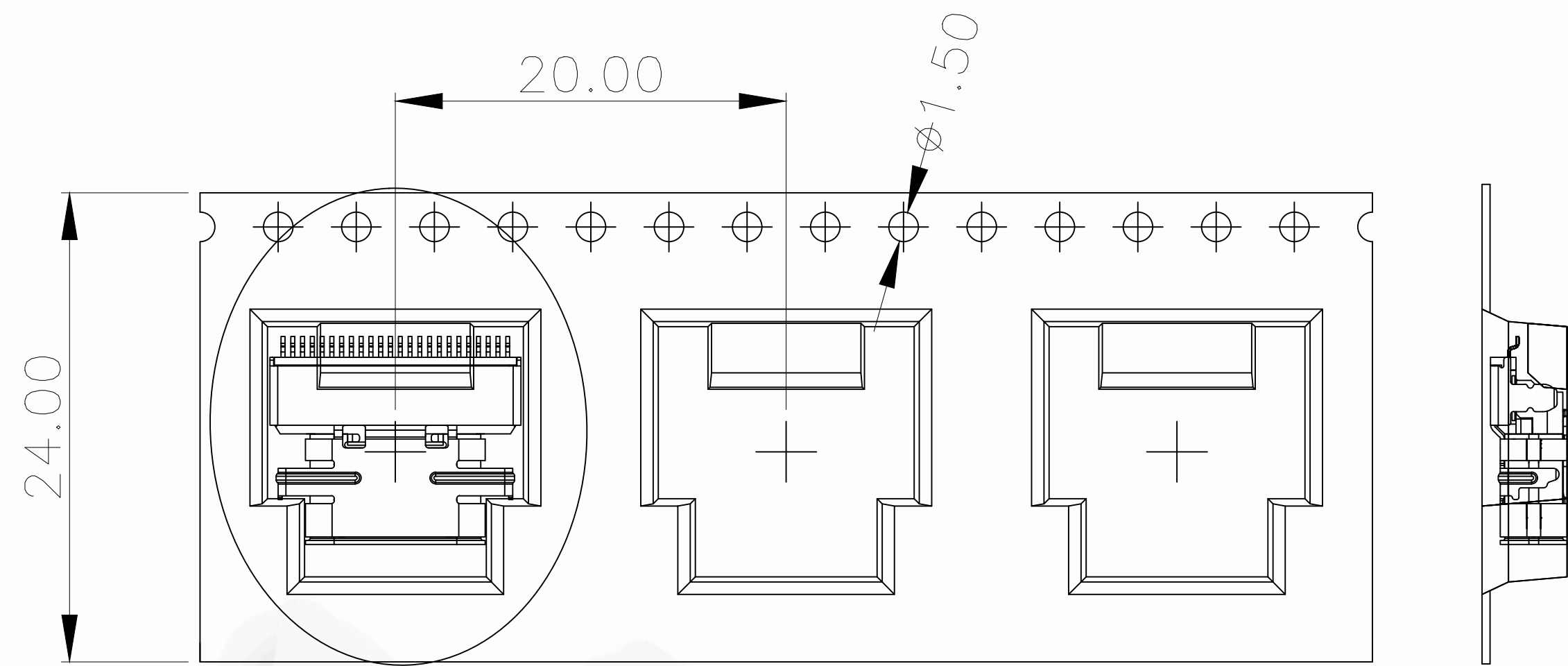
DETAIL A



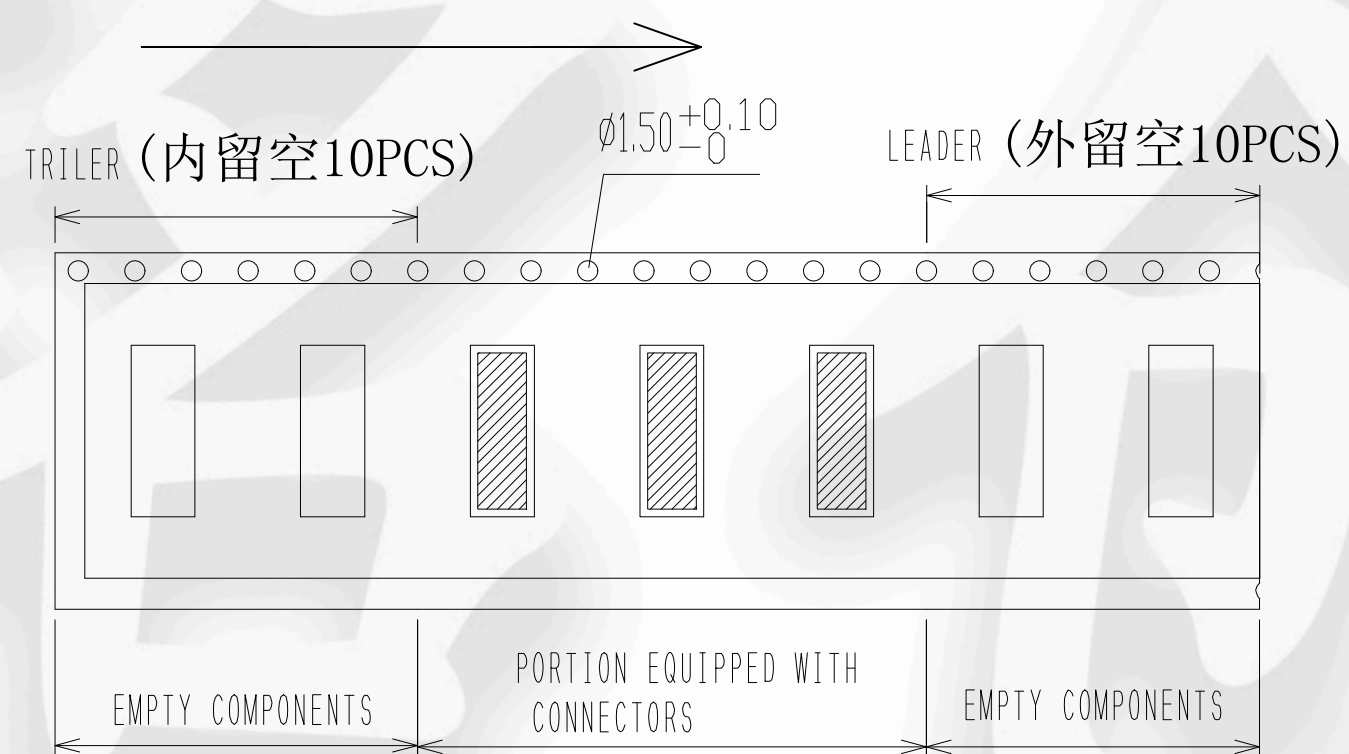
CUSTOMER DRAWING			铭创科技（东莞）有限公司		
UNITS mm	SCALE 1:1	SHEET 1 OF 2	TITLE TYPE C母座24PIN 沉板2.45 全贴单排SMT		
PROJECTION: 		DRAW: DAP	MAT'L SEE TABLE		FINISH SEE TABLE
GENERAL TOLERANCE .000 ±0.02 .00 ±0.10 .0 ±0.20 .0 ±2° .00 ±1°		CHECK: HWT	DWG. NO. 0031.TCF.24CB.Y7		PART NO. _____
		APPD: HHM	SIZE A4		



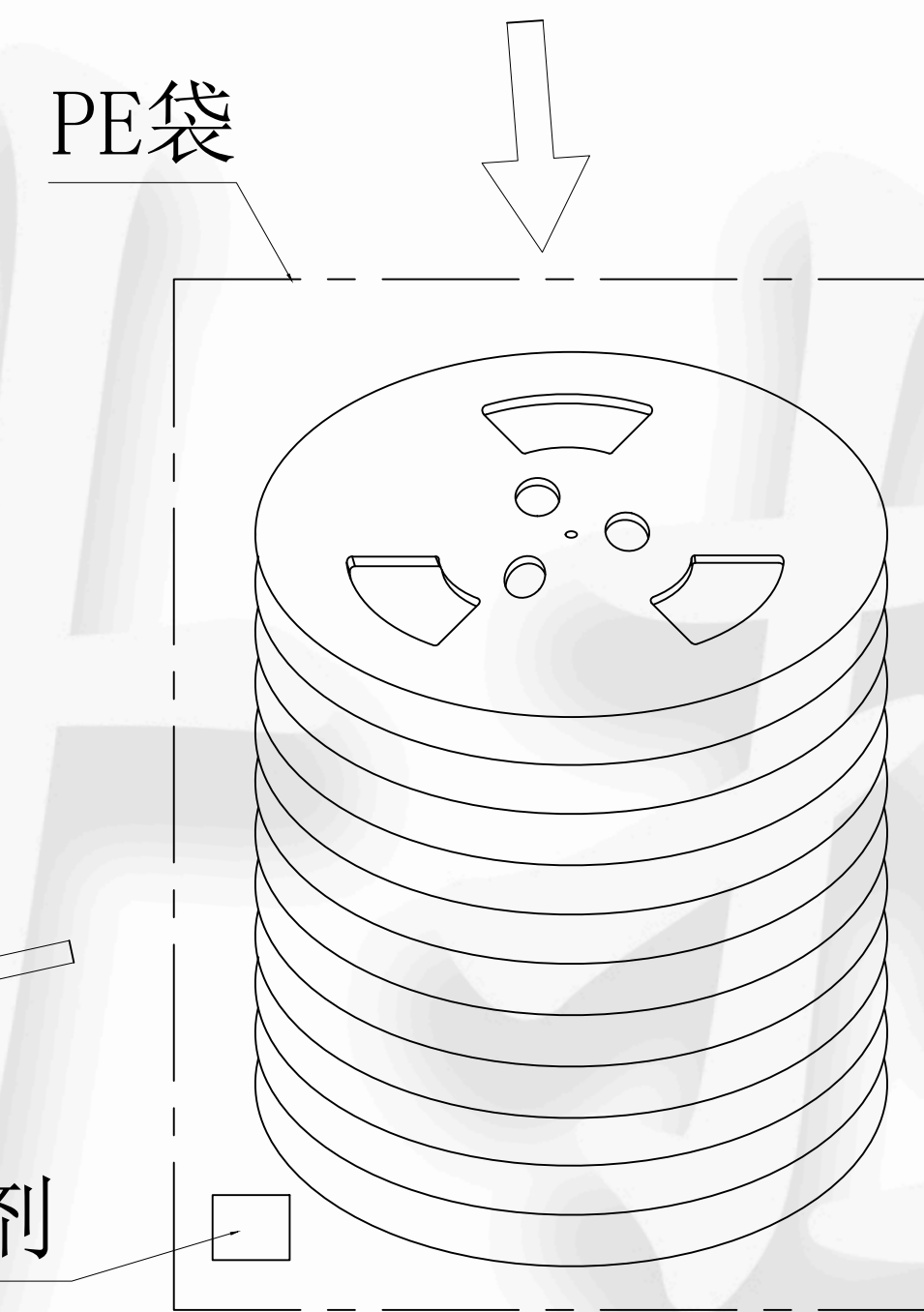
REV	DESCRIPTION	DATE	APPROVED



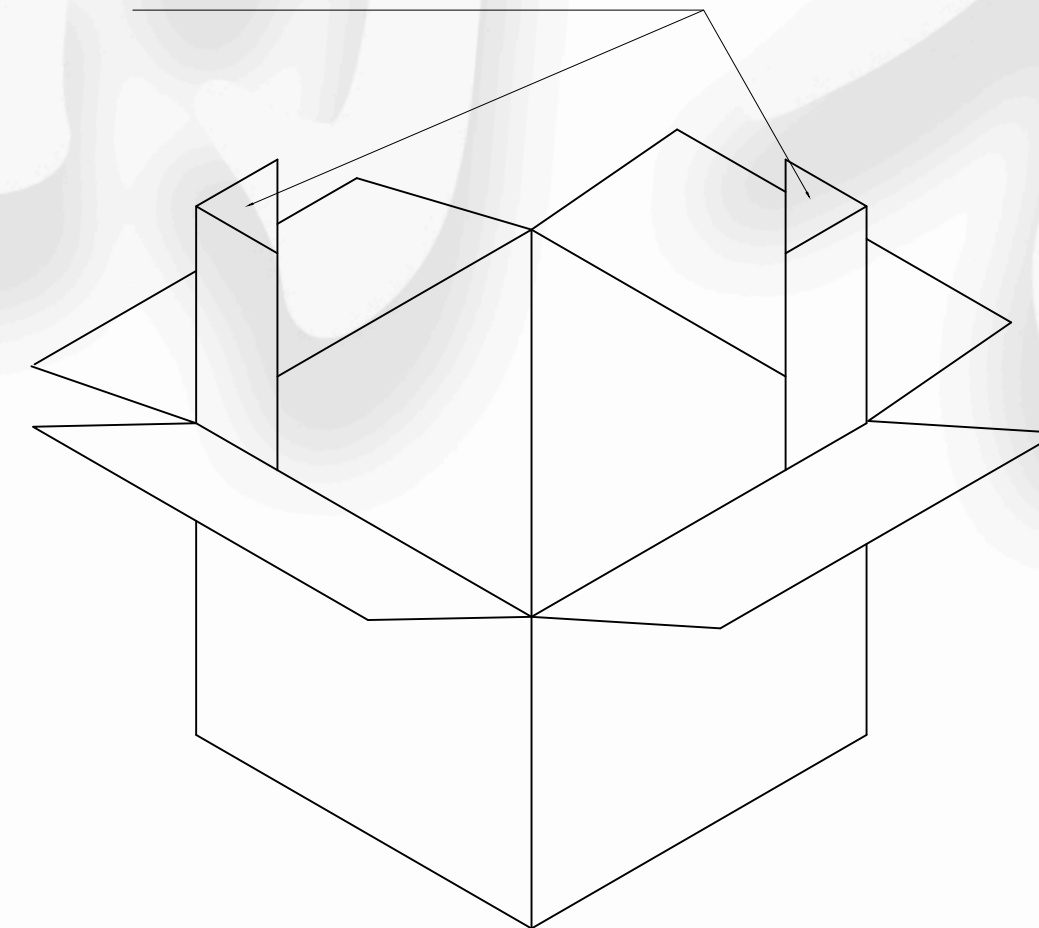
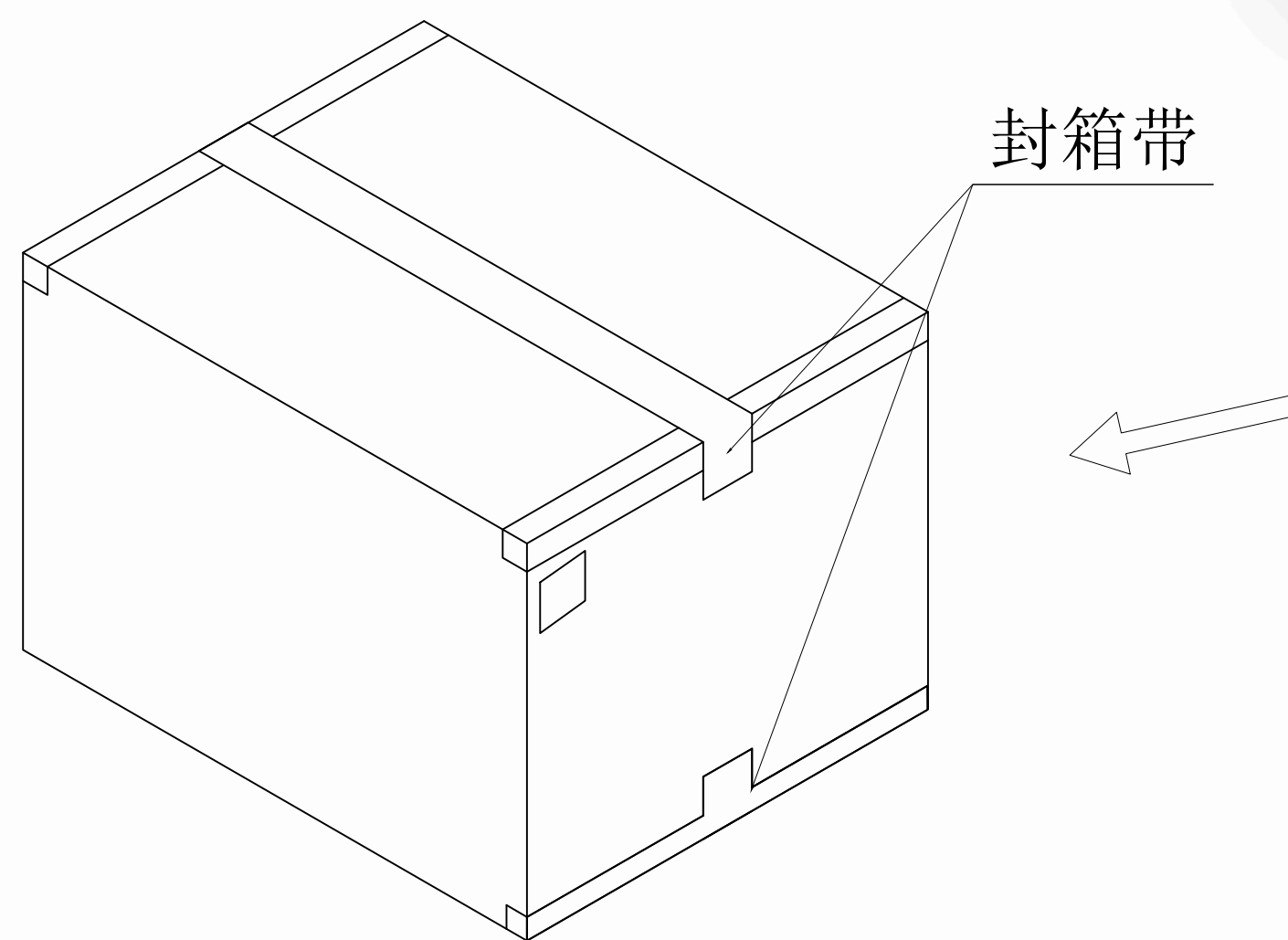
1. 每盘装700PCS



固定纸板折成三角后放于纸箱四个角以稳固成品



2. 每叠共11层, 7700PCS



外箱

3. 每箱放1叠, 共11盘, 7700PCS

注: 标签依客户出货标识

CUSTOMER DRAWING			铭创科技(东莞)有限公司		
UNITS mm	SCALE 1:1	SHEET 2 OF 2	TITLE TYPE C母座24PIN 沉板2.45 全贴单排SMT		
PROJECTION: 		DRAW: DAP	MAT'L SEE TABLE		FINISH SEE TABLE
GENERAL TOLERANCE		CHECK: HWT	DWG. NO. 0031.TCF.24CB.Y7		PART NO. _____
.000	±0.02	APPD: HHM	SIZE A4		
.00	±0.10				
.0	±0.20				
.0	±2°				
.00	±1°				