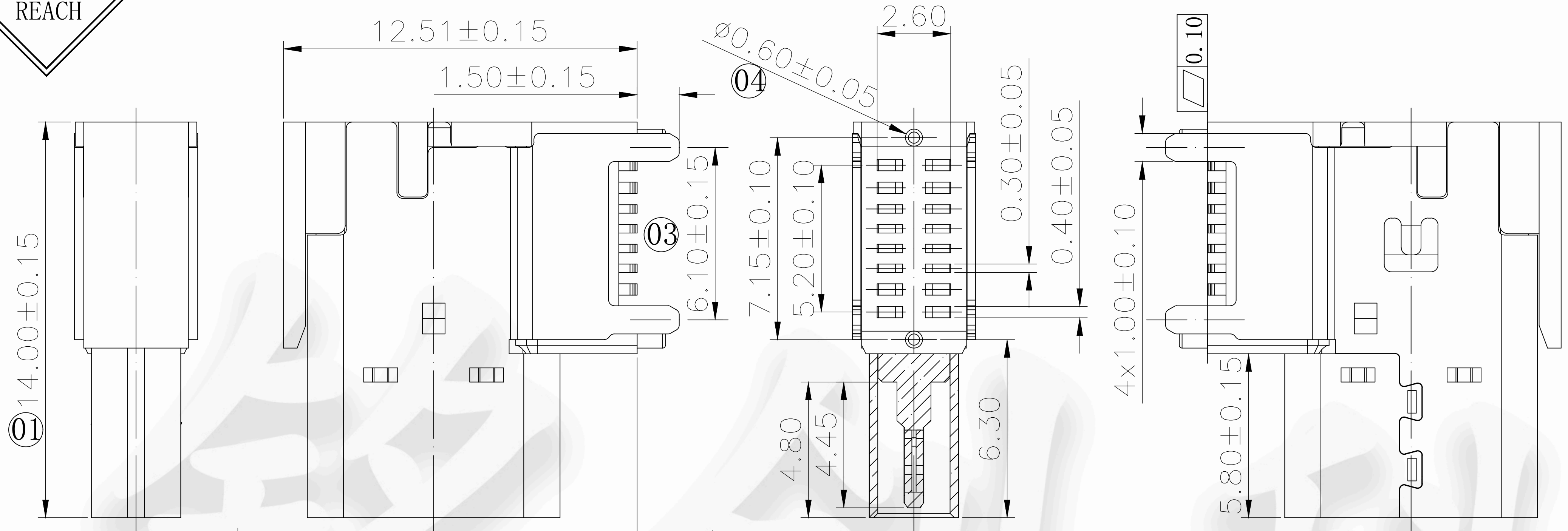


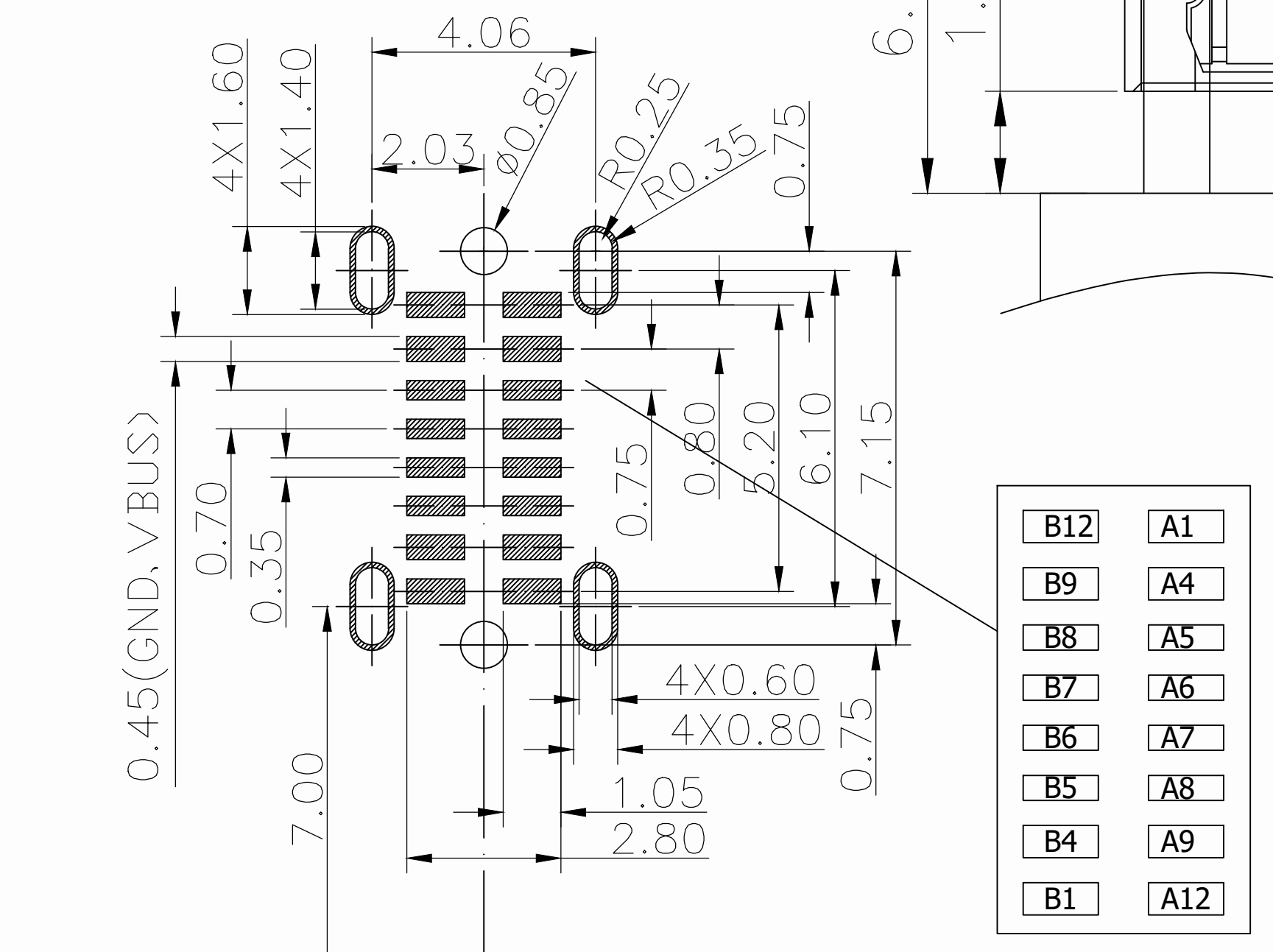


REV	DESCRIPTION	DATE	APPROVED
A	新板发行	2023.05.05	HHM



- 特性:
- 一、电气性能: ELECTRICAL
    1. 额定电流: 5.0A
    2. 接触阻抗: 40 MILLIOHMS MAX
    3. 耐电压: 100V AC / 1 mA MAX
    4. 绝缘阻抗: 150V DC/100 MEGA OHMS MIN
  - 二、机械性能:
    1. 插入力: 5~20N ; 拨出力: 8~20N
    2. 使用寿命: 10000次
  - 三、材料: MATERIAL
    1. 外壳: SUS304 T=0.30mm
    2. 中夹片: SUS301 T=0.15mm
    3. 端子: C7025 T=0.15mm
    4. 塑胶: LCP+30%G. F黑色
  - 四、电镀: FINISH
    1. 端子: 接触点镀金1u"; PIN脚焊接区域镀金G/F
    2. 外壳: 镀镍50u"MIN
  - 五、电镀品需做粘锡测试: 粘锡面积达到95%以上。
  - 六、SMT回流焊(峰值260° C±5° C)不能起泡、熔胶、变色不良(变形在公差范围以内)
  - 七、工作温度: -55° C~+85° C
  - 八、盐雾测试: 通过48H在浓度为5±1%盐水的盐雾测试无生锈现象

A1	GND	B12	GND
A2		B11	
A3		B10	
A4	VBUS	B9	VBUS
A5	CC1	B8	SBU2
A6	D+	B7	D-
A7	D-	B6	D+
A8	SBU1	B5	CC2
A9	VBUS	B4	VBUS
A10		B3	
A11		B2	
A12	GND	B1	GND

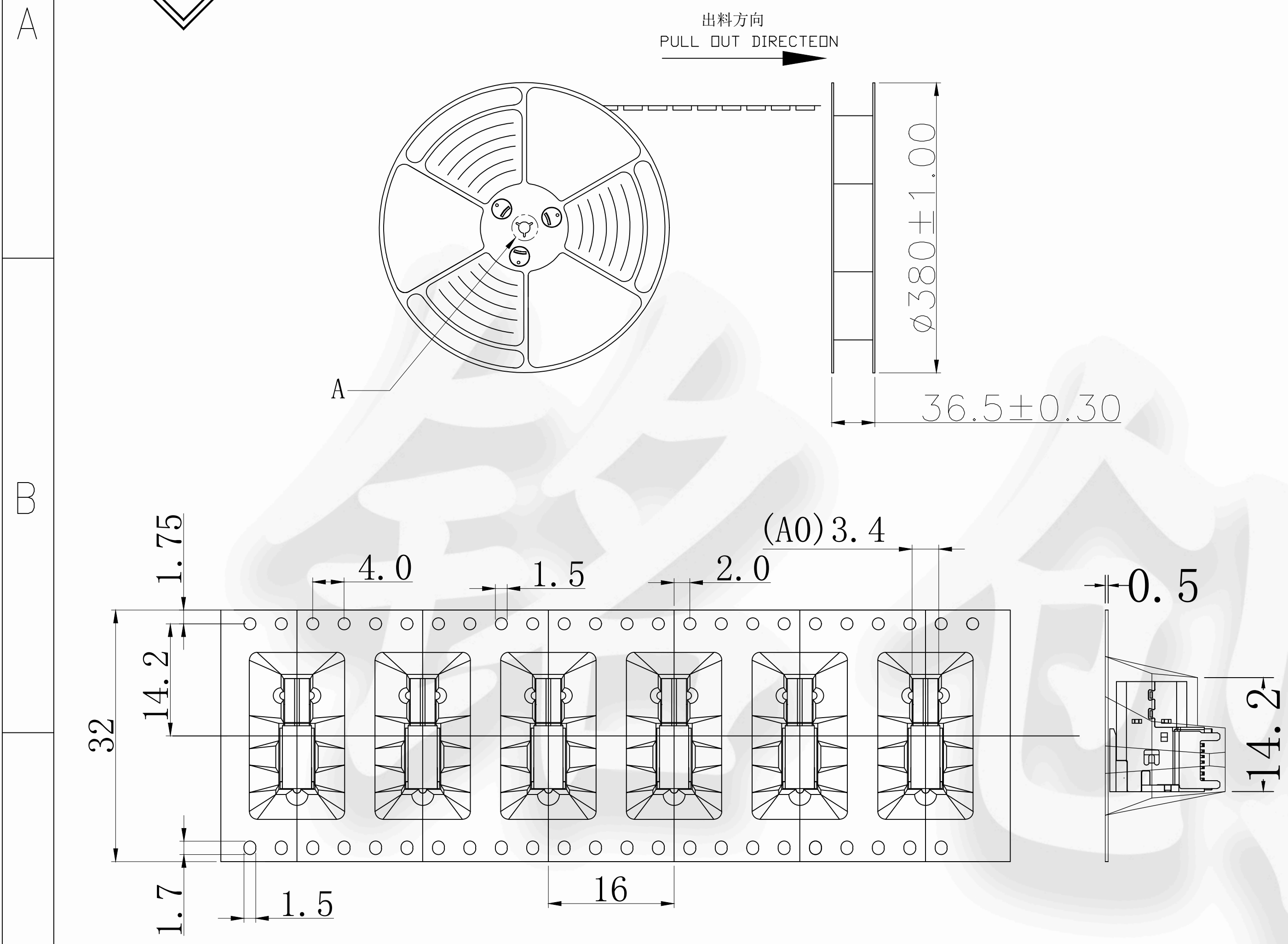


B12	A1
B9	A4
B8	A5
B7	A6
B6	A7
B5	A8
B4	A9
B1	A12

CUSTOMER DRAWING			铭创科技(东莞)有限公司 Mingchuang Technology (Dongguan) Co., Ltd		
UNITS mm	SCALE 1:1	SHEET	TITLE TYPE C母座16PIN 侧贴 CH=7.2 三模 无弹		
PROJECTION: 	DRAW: DAP	CHECK: HWT	MAT'L SEE TABLE	FINISH SEE TABLE	
GENERAL TOLERANCE 0. ±0.35 0.0 ±0.25 0.00 ±0.15 0.° ±4° 0.0° ±3°	APPD: HHM	DWG. NO. 0312.TCF.16CT.J25	PART NO.	SIZE A4	

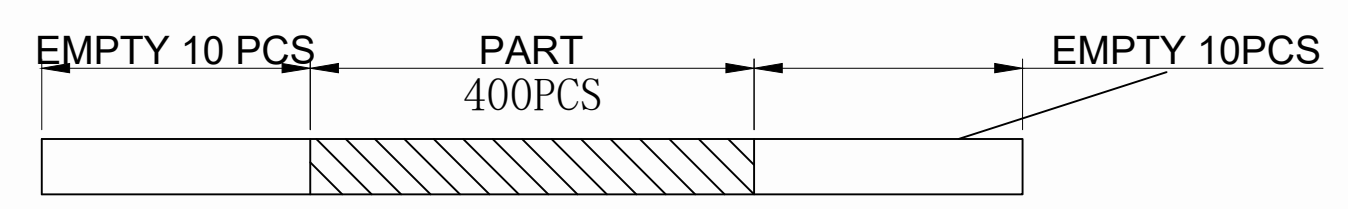


REV	DESCRIPTION	DATE	APPROVED
A	新板发行	2023. 05. 05	HHM

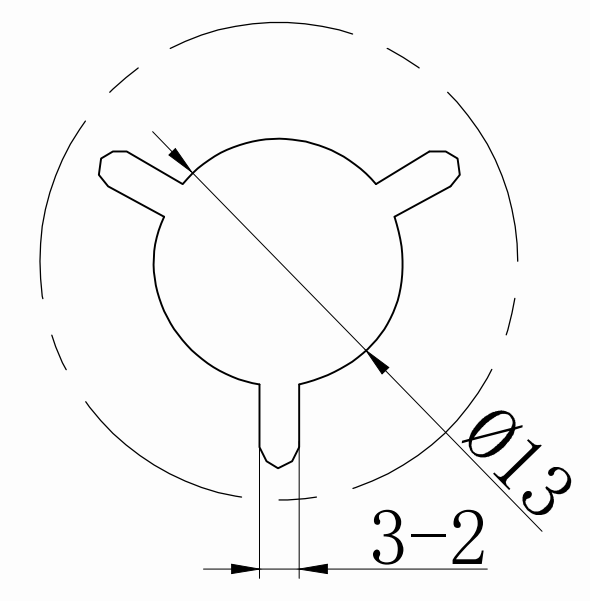
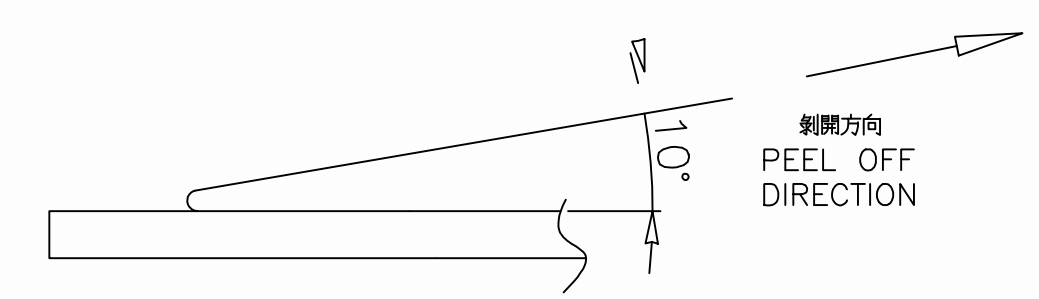


NOTES

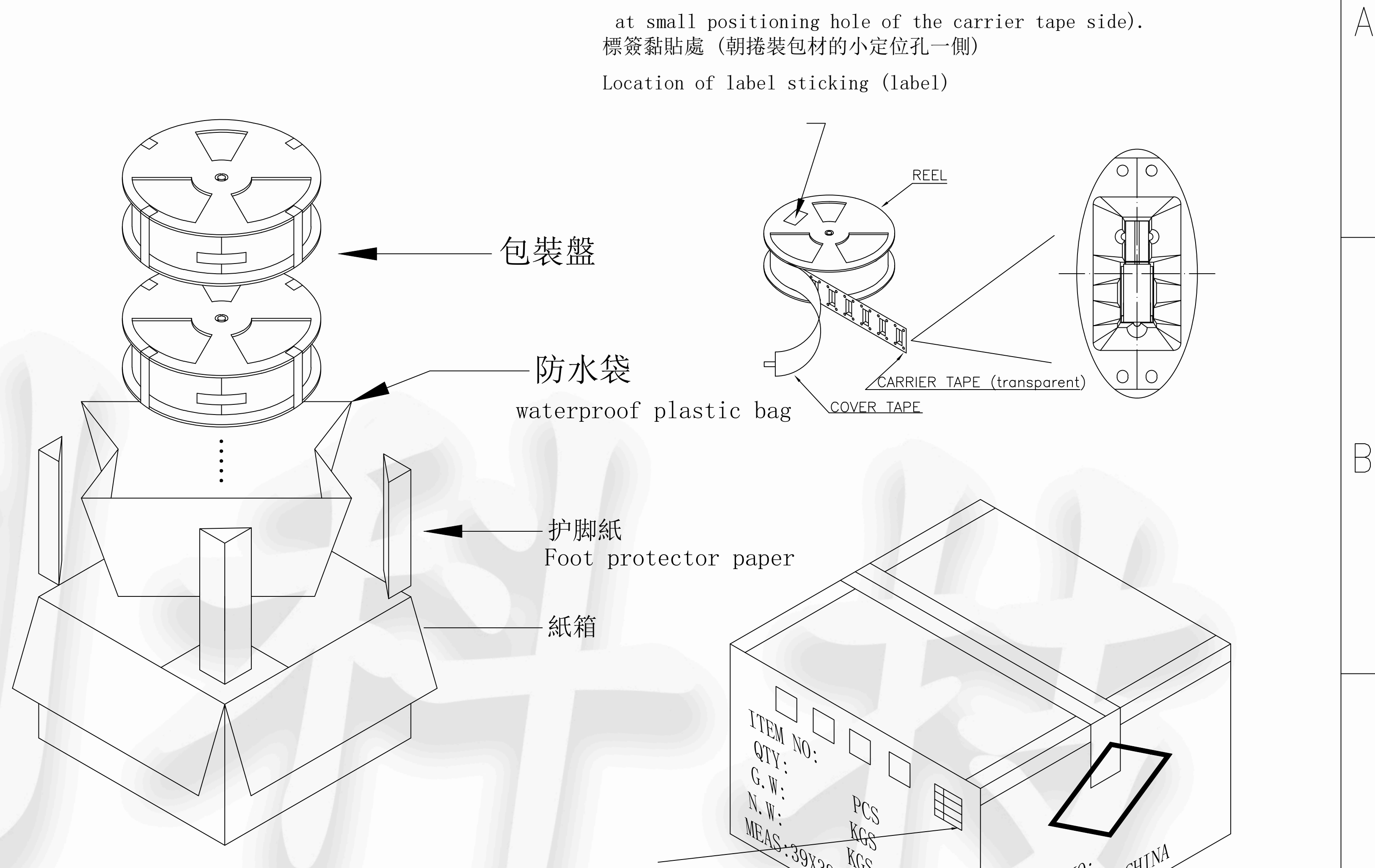
1. 帶引導長度  
LEAD TAPE LENGTH  
出料方向  
PULL OUT DIRECTEON



2. 上帶 剝力力為: 0.1~1.3N(10.2gf~130gf)  
PEELING OFF FORCE OF TOP TAPE: 0.1~1.3N(10.2gf~130gf)  
出貨'運輸過程中一定注意:  
THIS REQUIREMENT SHOULD BE APPLIED AT SHIPMENT:  
卷帶在運輸過程中不能散開  
PEELING OFF SHOULD NOT BE ALLOWED DURING TRANSPORTATION



DETAIL: A  
10:1



at small positioning hole of the carrier tape side.  
標籤黏貼處 (朝捲裝包材的小定位孔一側)  
Location of label sticking (label)

NOTE:

- 每捲包裝數量及每箱裝箱數量如左下表格。  
Packing q'ty of each reel & carton as below table shown.
- 將裝滿產品的卷盤放入紙箱并以膠帶封口  
Put reels in the carton and use adhesive tape to seal up.

載帶	規格: $\phi 380\text{mm}$	包裝數量: 400PCS
紙箱	規格: 390mmX390mmX310mm	包裝數量: 8盤 / 箱

CUSTOMER DRAWING			铭创科技 (东莞) 有限公司 Mingchuang Technology (Dongguan) Co., Ltd		
UNITS mm	SCALE 1:1	SHEET	TITLE TYPE C母座16PIN 侧贴 CH=7.2 三模 无弹		
PROJECTION: 	DRAW: DAP		MAT'L SEE TABLE	FINISH SEE TABLE	
GENERAL TOLERANCE 0. $\pm 0.35$ 0.0 $\pm 0.25$ 0.00 $\pm 0.15$ 0.° $\pm 4^\circ$ 0.0° $\pm 3^\circ$		CHECK: HWT	DWG. NO. 0312. TCF. 16CT. J25	PART NO.	SIZE A4
		APPD: HHM			