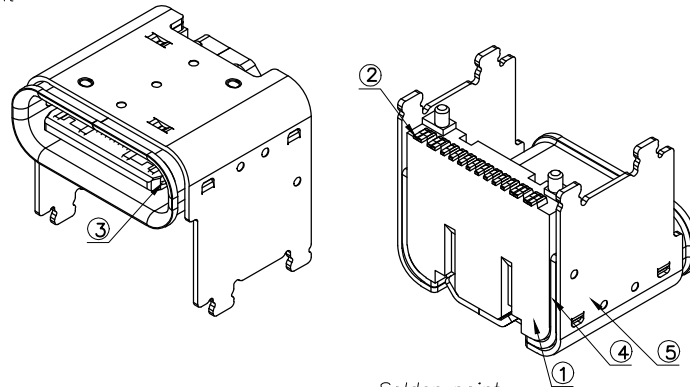
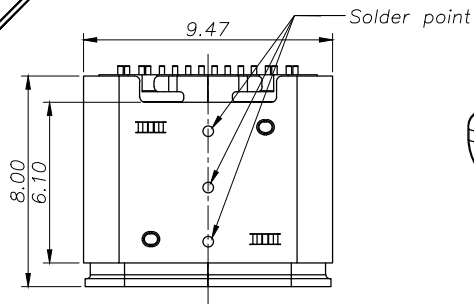




REV	DESCRIPTION	DATE	APPROVED
A	新板发行	2020.03.13	HHM



NOTE:

1. MATERIAL SPECIFICATION:

- 1. HOUSING: HIGH TEMPERATURE RESISTANT PLASTIC, UL94 V-0.
- 2. CONTACTS: COPPER ALLOY
- 3. MID PLATE: STAINLESS STEEL
- 4. INSIDE SHELL: STAINLESS STEEL, T=0.30mm
- 5. OUTSIDE SHELL: STAINLESS STEEL, T=0.25mm

2. PLATING SPECIFICATION:

2-1. CONTACTS:

- Ni 50u" MIN. UNDER PLATED OVER ALL.
- Au PLATED ON THE FUNCTIONAL AREA OF CONTACT.
- (GOLD PLATING THICKNESS FOLLOW THE P/N)
- GOLD FLASH PLATING ON SOLDER AREA

2-2. INSIDE SHELL OR OUTSIDE SHELL:

- Ni 30u" MIN. UNDER PLATED OVER ALL.

3. MECHANICAL PERFORMANCE,

- 3-1. INSERTION FORCE: 0.5~2.0kgf.
- 3-2. REMOVAL FORCE: 0.8kgf~2.0kgf.
- 3-3. DURABILITY: 10000 CYCLES.

4. ELECTRICAL PERFORMANCE,

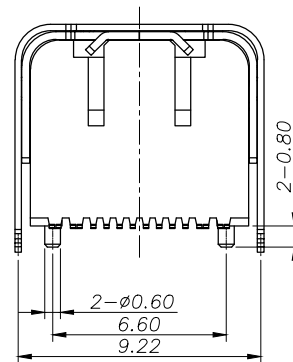
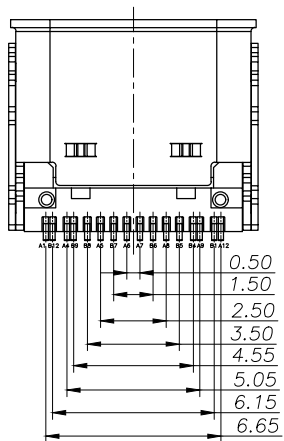
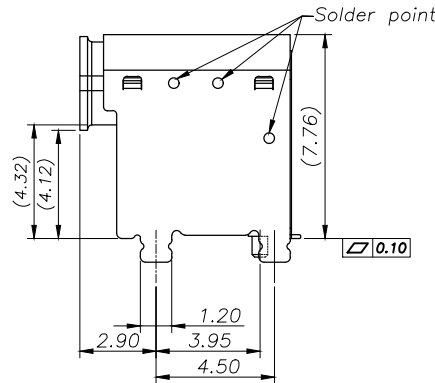
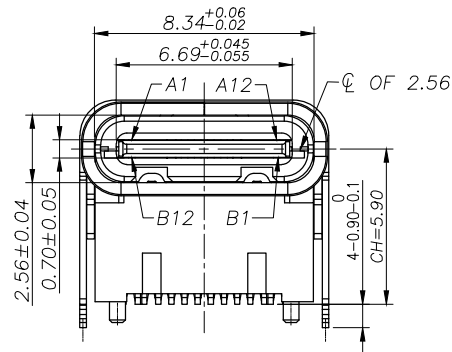
- 4-1. CURRENT RATING: 5A
VOLTAGE RATING: 5V
- 4-2. INSULATION RESISTANCE: 100MΩ MIN
- 4-3. DIELECTRIC WITHSTAND VOLTAGE, AC 100V FOR 1 MINUTE.
- 4-4. LOW CONTACT RESISTANCE: INITIAL 40MΩ / AFTER 50MΩ

5. ENVIRONMENTAL PERFORMANCE:

- OPERATING TEMPERATURE: -30° C~+80° C.

6. IR REFLOW:

- THE PEAK TEMPERATURE ON THE BOARD SHALL BE MAINTAINED FOR 10 SECONDS AT 260° C.



CUSTOMER DRAWING			铭创科技(东莞)有限公司		
UNITS mm	SCALE 1:1	SHEET 1 OF 3	Mingchuang Technology (Dongguan) Co., Ltd.		
PROJECTION: 	DRAW: DAP	TITLE TYPE C母座16PIN 板上垫高4.3 CH=5.9			
GENERAL TOLERANCE 0. ±0.35 0.0 ±0.25 0.00 ±0.15 0.° ±4° 0.0° ±3°	CHECK: HWT	MAT'L SEE TABLE	FINISH SEE TABLE		
	APPD: HHM	DWG. NO. 0324.TCF.16DG.D2	PART NO. _____	SIZE A4	