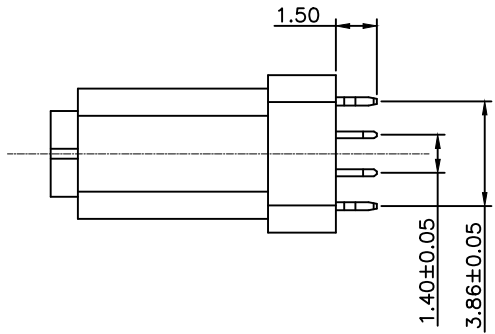
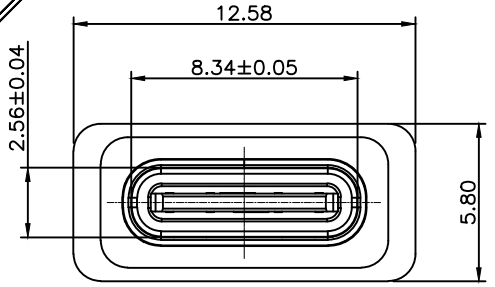
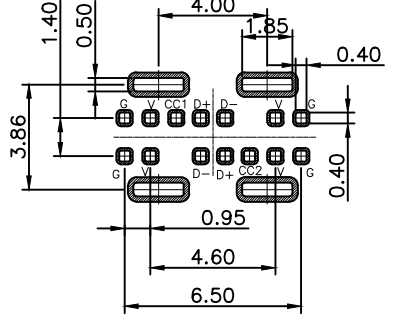
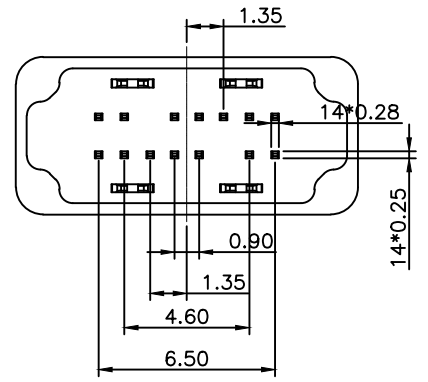
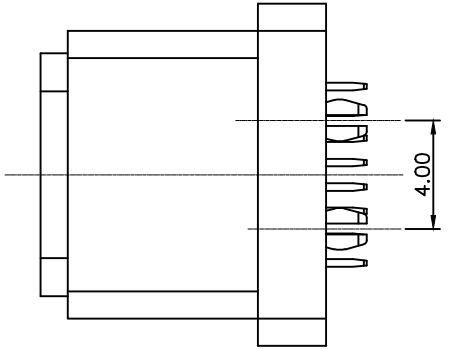
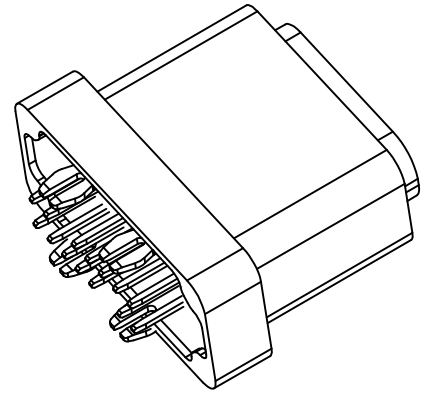


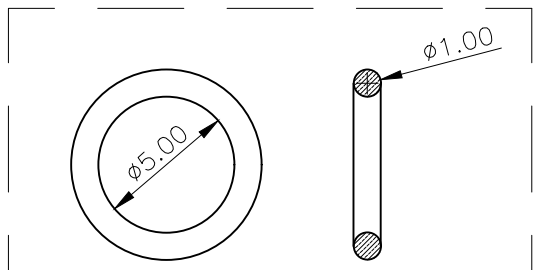
REV	DESCRIPTION	DATE	APPROVED
A	新板发行	2020. 11. 06	HHM



- NOTES:  
SPECIFICATION:
- CURRENT RATING: 3.0A MAX
  - VOLTAGE: 100 VAC
  - TEMPERATURE RANGE: -30 °C ~ 85 °C
  - CONTACT RESISTANCE: 40 MILLIONHM MAX
  - INSULATION RESISTANCE: 100 MEGOHMS MIN.
  - INSERTION FORCE : 5N~20N
  - UNMATING FORCE: 8N~20N
  - DURABILITY: 10,000 CYCLES
  - DUSTPROOF AND WATERPROOF GRADE IP67.

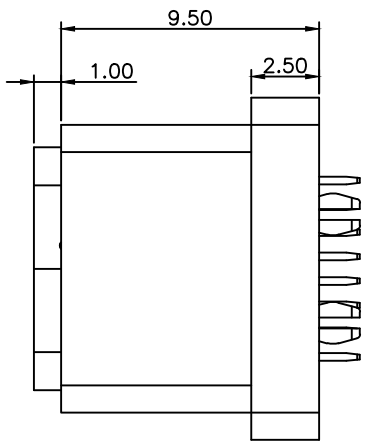


RECOMMENDED P.C.B. LAYOUT  
TOLERANCE UNSPECIFIED ±0.05mm



注：防水圈是圆形截面，直径为1.0mm的硅胶圈，防水圈挤压量，由1.0mm挤压到0.4mm ~ 0.5mm，防水效果好

CAD GENERATED DRAWING. DON'T CHANGE BY HAND.



LOGO	MYLAR	SHELL	CONTACT	SOLDER	PAKING	SHELL MATERIAL
		NI	Fu" Au	Fu" Au	TRAY	SUS

CUSTOMER DRAWING			铭创科技（东莞）有限公司				
UNITS mm	SCALE 1:1	SHEET 1 OF 2	TITLE 14PIN 防水TYPE C插座 立插 L=10.5 IPX7				
PROJECTION: 	DRAW: DAP		MATERIAL SEE TABLE		FINISH SEE TABLE		
GENERAL TOLERANCE .x ±0.50 .x* ± 2* .X ±0.30 .X* ± 1* .XX ±0.10 .XX* ± 0.5* .XXX ± 0.05		CHECK: HWT	APPD: HHM		DWG. NO. 0486.WPCF.16LS.B9	PART NO. _____	SIZE A4