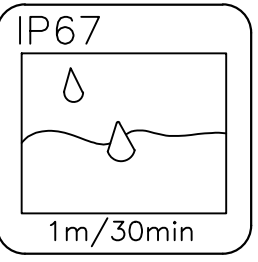
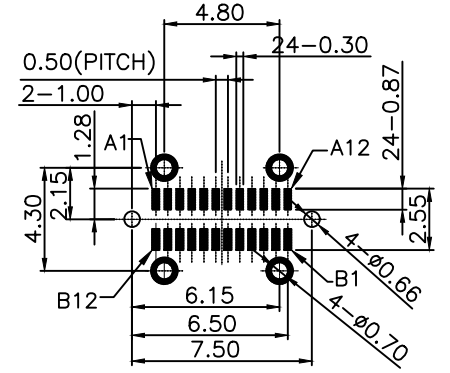
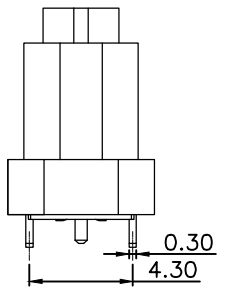
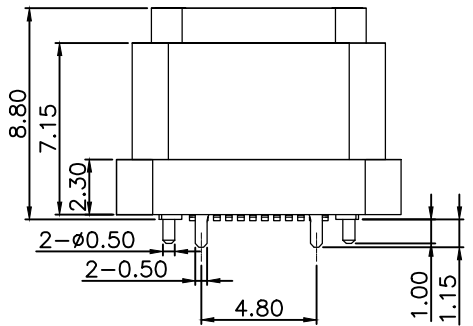
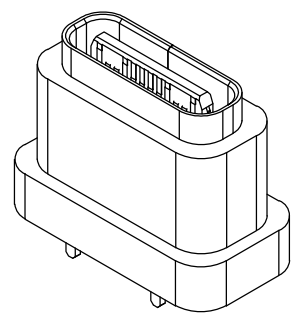
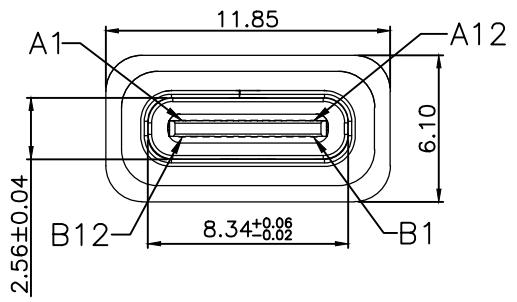




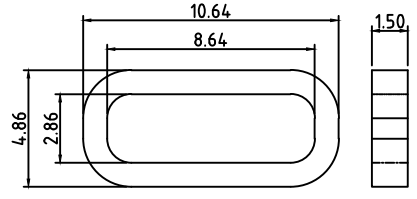
REV	DESCRIPTION	DATE	APPROVED
A	新板发行	2020.11.06	HHM



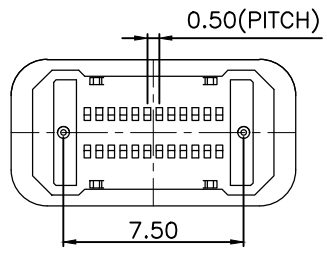
- NOTES:  
SPECIFICATION:
- CURRENT RATING: 3.0A MAX
  - DIELECTRIC WITHSTAND VOLTAGE: 100VAC
  - TEMPERATURE RANGE: -30 °C ~ 85 °C
  - CONTACT RESISTANCE: 40 MILLIONHM MAX
  - INSULATION RESISTANCE: 100 MEGOHMS MIN.
  - INSERTION FORCE : 5N~20N
  - UNMATING FORCE: 8N~20N
  - DURABILITY:10,000 CYCLES



RECOMMENDED P.C.B. LAYOUT (T:1.00mm)  
TOLERANCE UNSPECIFIED ±0.05mm



建议胶圈尺寸



NO.	DESCRIPTION	MATERIAL	REMARKS	QTY
6	防水圈	硅胶	BLACK	1PCS
5	SHELL	STAINLESS STEEL	NI Plated	1PCS
4	SHIELDING PLATE	STAINLESS STEEL	NI Plated	1PCS
3	CONTACT	COPPER ALLOY	Au/NI Plated	1SET
2	SHELL HOUSING	HIGH TEMPERATURE PLASTIC	BLACK	1PCS
1	HOUSING	HIGH TEMPERATURE PLASTIC	BLACK	1PCS

PIN NUMBER	SIGNAL NAME	PIN NUMBER	SIGNAL NAME
A1	GND	B12	GND
A2	SSTXp1	B11	SSRXp1
A3	SSTXn1	B10	SSRXn1
A4	VBUS	B9	VBUS
A5	CC1	B8	SBU2
A6	Dp1	B7	Dn2
A7	Dn1	B6	Dp2
A8	SBU1	B5	CC2
A9	VBUS	B4	VBUS
A10	SSRXn2	B3	SSTXn2
A11	SSRXp2	B2	SSTXp2
A12	GND	B1	GND

CUSTOMER DRAWING		
UNITS mm	SCALE 1:1	SHEET 1 OF 1
PROJECTION: 	DRAW: DAP	CHECK: HWT
GENERAL TOLERANCE 0. ±0.50 0.0 ±0.30 0.00 ±0.10 0.° ±2° 0.0° ±1°	APPD: HHM	

铭创科技（东莞）有限公司			
TITLE 24PIN 防水TYPE C母座 立贴 L=8.8 IPX8			
MAT'L SEE TABLE		FINISH SEE TABLE	
DWG. NO. 0518.WPCF.24LS.B9	PART NO.	SIZE A4	