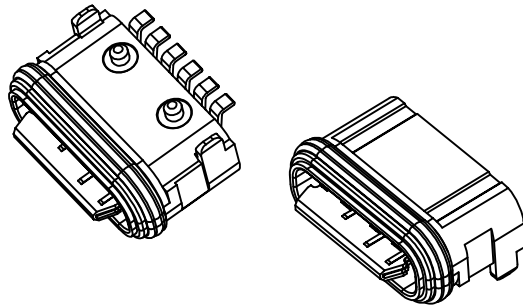
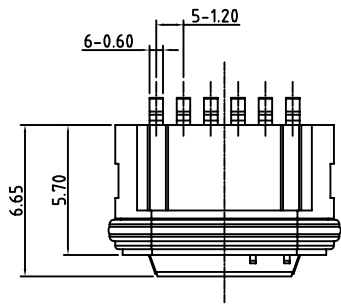




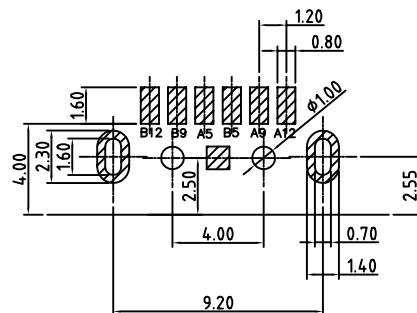
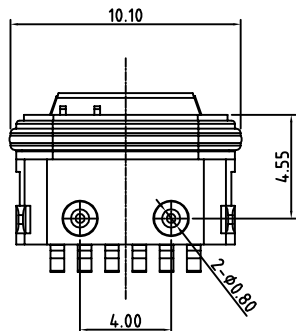
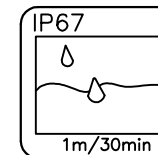
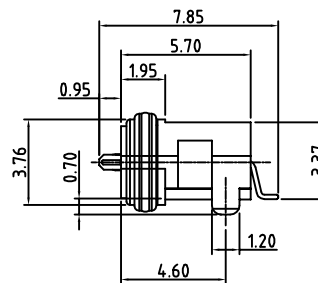
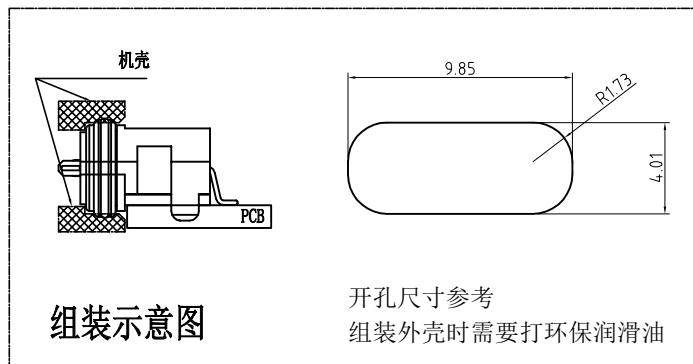
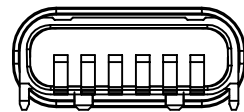
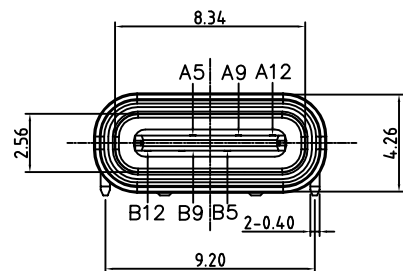
REV	DESCRIPTION	DATE	APPROVED
A	新板发行	2020.03.08	HHM



SPECIFICATIONS:

1. ELECTRICAL CHARACTERISTICS:

- 1.1. RATING: 3A;
- 1.2. CONTACT RESISTANCE: 30 mΩ MAX. (INITIAL);
- 1.3. DIELECTRIC WITHSTANDING: 100V AC MIN.;
- 1.4. INSULATION RESISTANCE: 100MΩ MIN.;
- 2. DURABILITY: 5,000 CYCLES MIN.;
- 3. INSERTION FORCE: 5-20N;
- 4. EXTRACTION FORCE: 6-20N;
- 5. WATER PROOFNESS: THIS PRODUCT IS BASED ON IPX7.
- 6. PLUG INTERFACE DIMENSIONS COMFORM TO USB2.0 SPEC.
- 7. PACKAGING: TAPE & REEL.



RECOMMENDED P. C. B LAYOUT
TOP VIEW (TOLRANCE: ±0.05)

3	Shell	1	Ni Plating	
2	Contact	6	Phosphor bronze Au/Ni Plating T=0.20mm	
1	Housing	1	PA10T (G.F30%)	
ITEM	PART NAME	Q'TY	FINISH	NOTE

CUSTOMER DRAWING			铭创科技(东莞)有限公司 Mingchuang Technology (Dongguan) Co., Ltd.		
UNITS mm	SCALE 1:1	SHEET 1 OF 1	TITLE 6PIN 防水TYPE C 母座 板上两脚插板SMT 舌片外露 L=6.65		
PROJECTION: 	DRAW: DAP		MAT'L SEE TABLE	FINISH SEE TABLE	
GENERAL TOLERANCE 0. ±0.50 0.0 ±0.30 0.00 ±0.10 0.° ±2° 0.0° ±1°	CHECK: HWT		DWG. NO. 0533.WPCF.6BS.B9	PART NO.	SIZE A4
APPD: HHM					

A5	CC1	B12	GND
A9	VBUS	B9	VBUS
A12	GND	B5	CC2
PIN	SIGNAL NAME	PIN	SIGNAL NAME