



|     |             |              |          |
|-----|-------------|--------------|----------|
| REV | DESCRIPTION | DATE         | APPROVED |
| A   | 新板发行        | 2020. 11. 06 | HHM      |

备注 (NOTE):

1. 材质:

1.1 胶芯: LCP UL94 V-0

1.2 端子: C2680, T=0.2mm; 镍底, 镀金

1.3 外壳: 不锈钢201-H 表面镀镍

2. 电气特性:

2.1. 接触区: 接触电阻40mΩ Max, 允许10mΩ变化量. 测试条件: 20mv, 100mA下测量.

2.2. 接触电流: 3A VBUS引脚; 1.25A用于GND引脚; 其他引脚为0.25A.

2.3. 额定电压: 5V.

2.4. 耐电电压: 100VAC.

2.5. 绝缘电阻: 至少100兆欧 .

3. 机械性能:

3.1. 插入力: 0.5-2.0Kg

3.2. 拔出力: 0.6-2.04Kg

3.3. 插拔次数: 5000次.

4. 工作环境: -20℃ to +85℃.

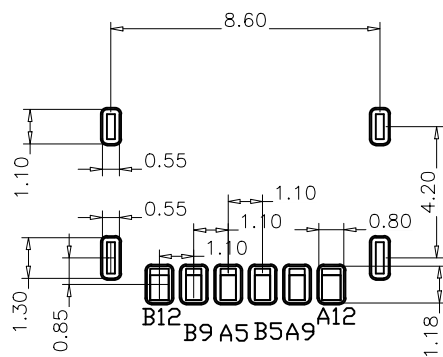
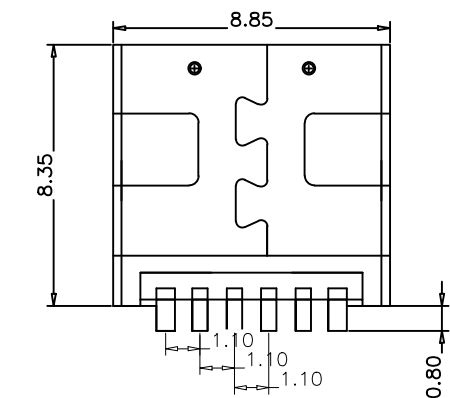
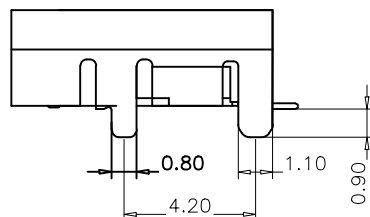
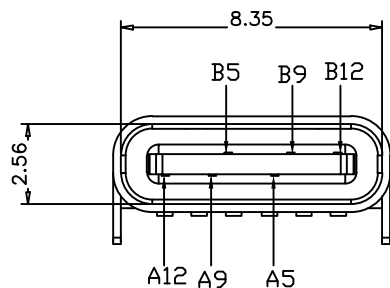
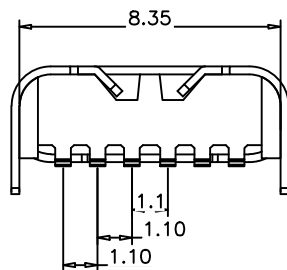
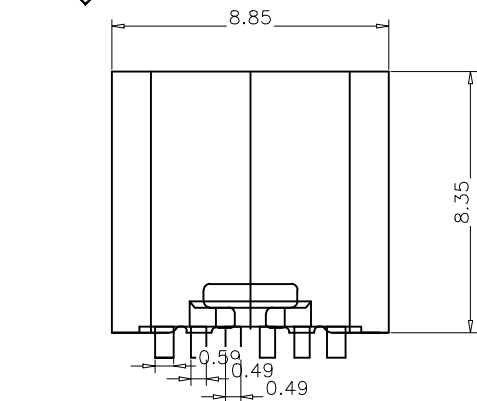
USB TYPE C PIN ASSIGNMENTS

| PIN NUMBER | SIGNAL NAME | PIN NUMBER | SIGNAL NAME |
|------------|-------------|------------|-------------|
|            |             | B12        | GND         |
|            |             | B9         | VBUS        |
| A5         | CC1         |            |             |
|            |             | B5         | CC2         |
| A9         | VBUS        |            |             |
| A12        | GND         |            |             |

TABLE:

| NO | PART            | Q'TY | MATERIAL                           |
|----|-----------------|------|------------------------------------|
| 1  | SHELL           | 1    | ZINC ALLOY, NI30u"Min PLATED       |
| 2  | CONTACT         | 6    | C2680, TIN80u"/Au1u"/NI30u" PLATED |
| 3  | 1MD HOUSING     | 1    | LCP UL94 V-0 BLACK                 |
| 4  | CAP             | 1    | LCP UL94 V-0 BLACK                 |
| 5  | WATERPROOF RING | 1    | SILICONE UL94 V-0 BLACK            |

| CUSTOMER DRAWING  |               |  | 铭创科技 (东莞) 有限公司                             |            |  |
|---|---------------|--|--|------------|--|
| UNITS<br>mm   | SCALE<br>1:1  | SHEET<br>1 OF 2                        | Mingchuang Technology (Dongguan) Co., Ltd. |            |  |
| PROJECTION:<br>   | DRAW:<br>DAP  | TITLE<br>TYPE C母座6PIN 板上四脚插板SMT L=8.35 |  |            |  |
| GENERAL TOLERANCE<br>0. ±0.50<br>0.0 ±0.30<br>0.00 ±0.10<br>0.° ±2°<br>0.0° ±1° | CHECK:<br>HWT | MAT'L<br>SEE TABLE                     | FINISH<br>SEE TABLE                        |            |  |
|   | APPD:<br>HHM  | DWG. NO.<br>1431. TCF. 6BS. C9         | PART NO.                                   | SIZE<br>A4 |  |



RECOMMEND P.C.B LAYOUT (COMPONENT SIDE)  
TOLERANCE FOR PCB LAYOUT IS ±0.05