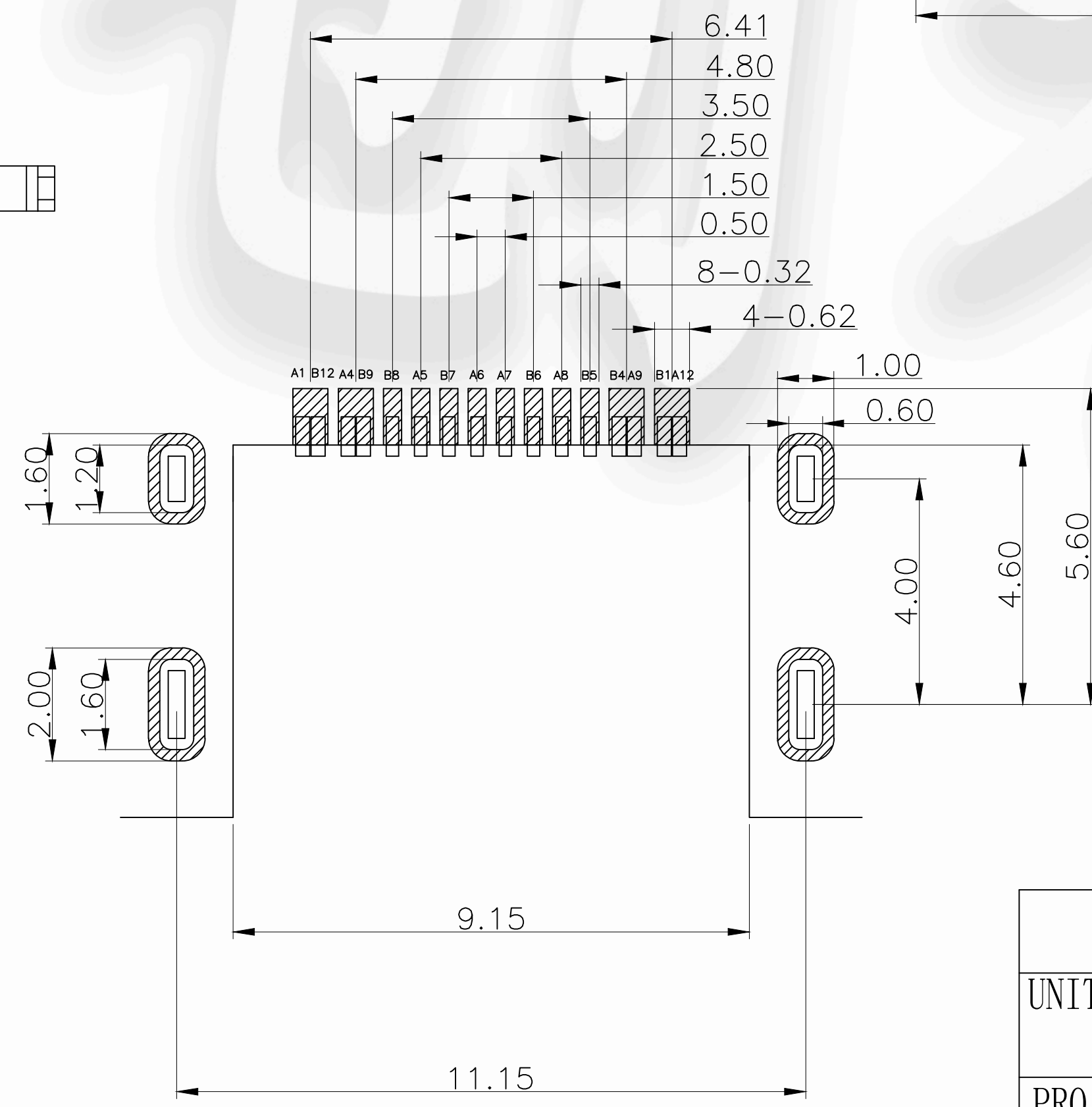
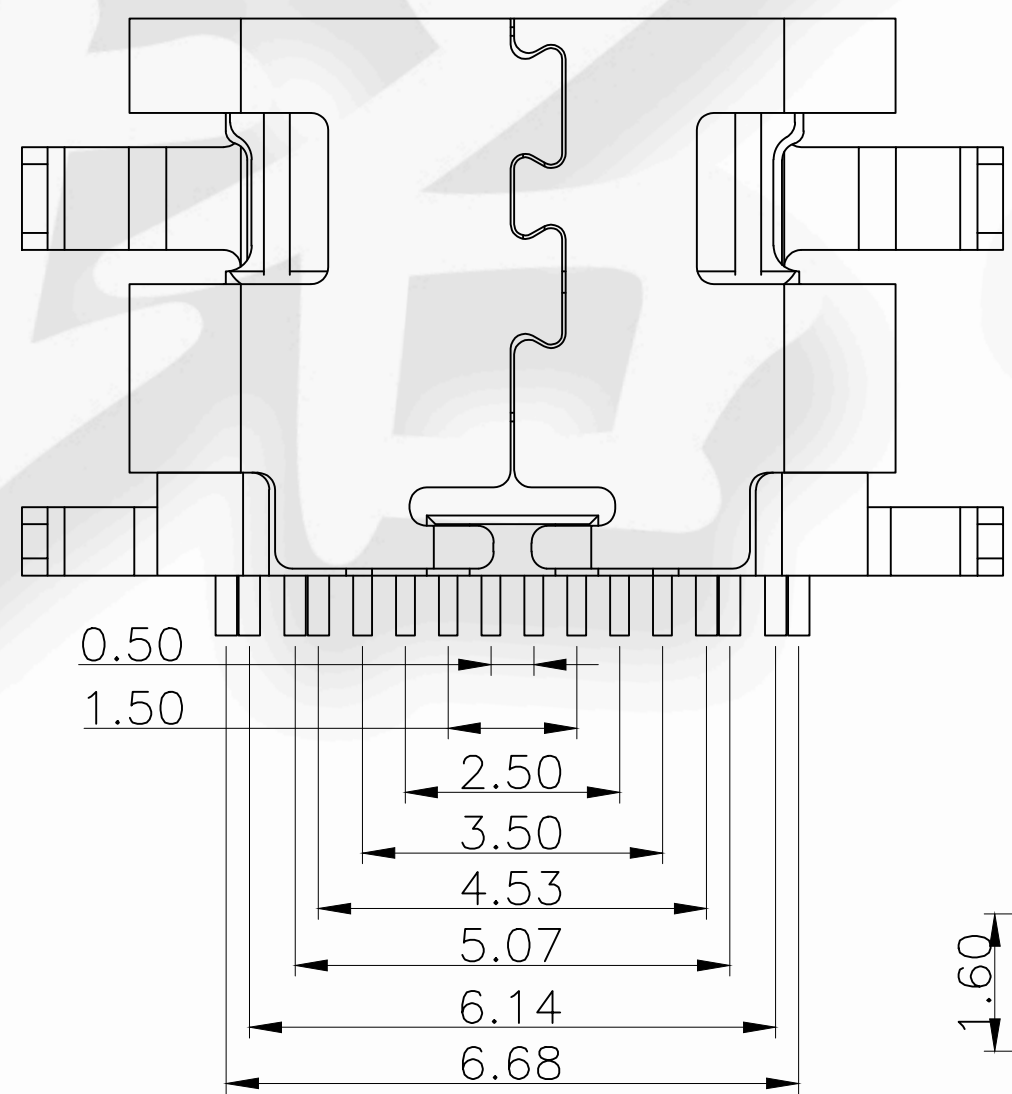
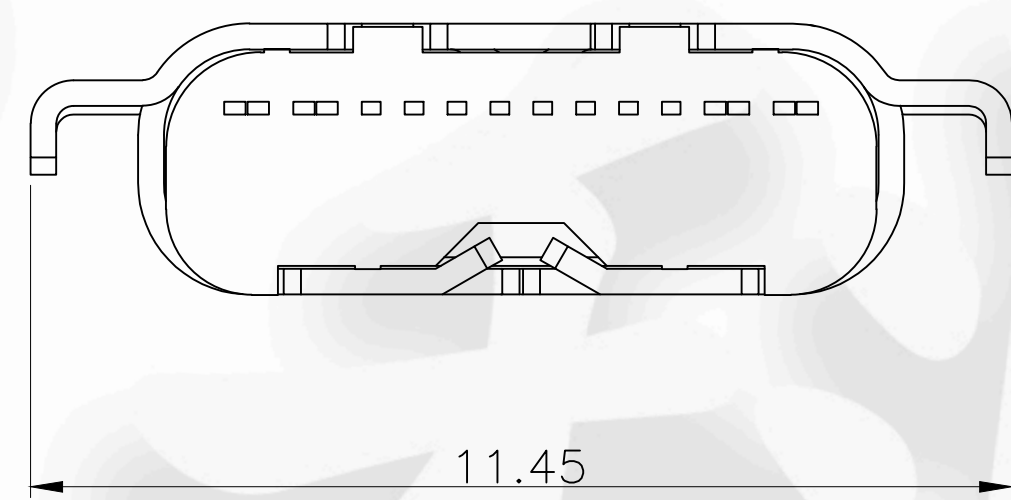
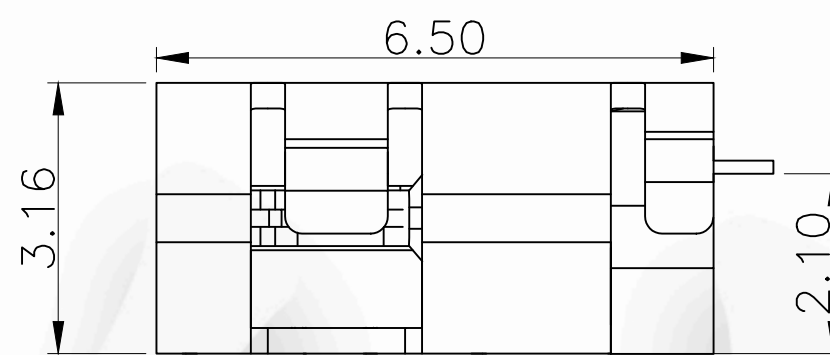
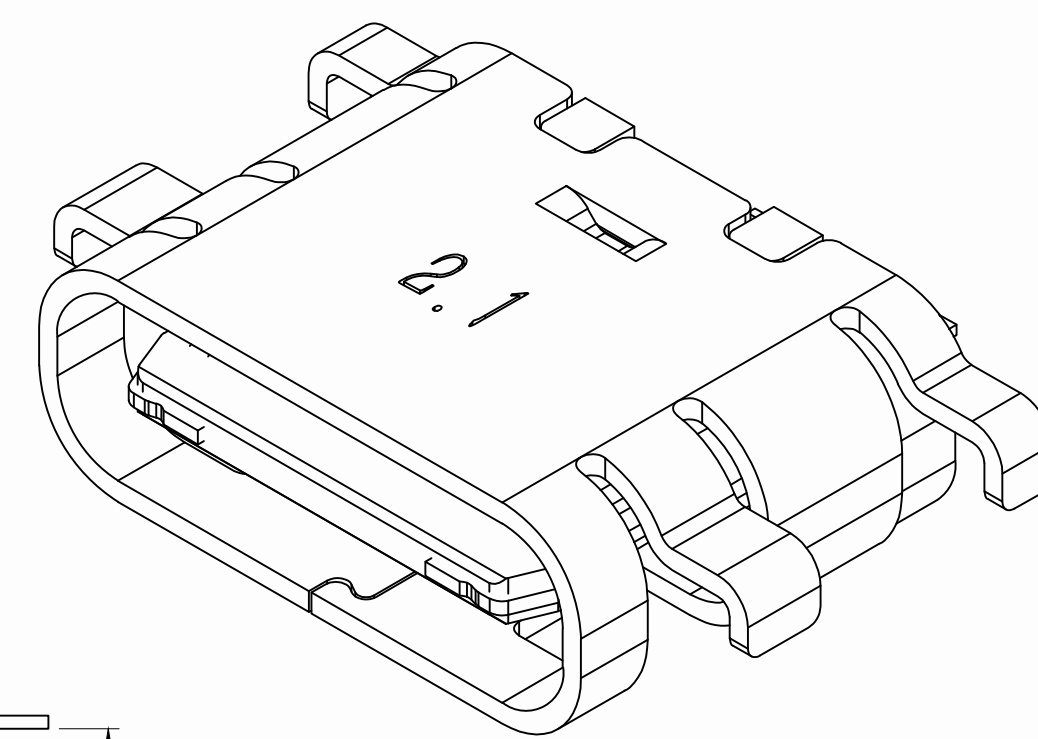
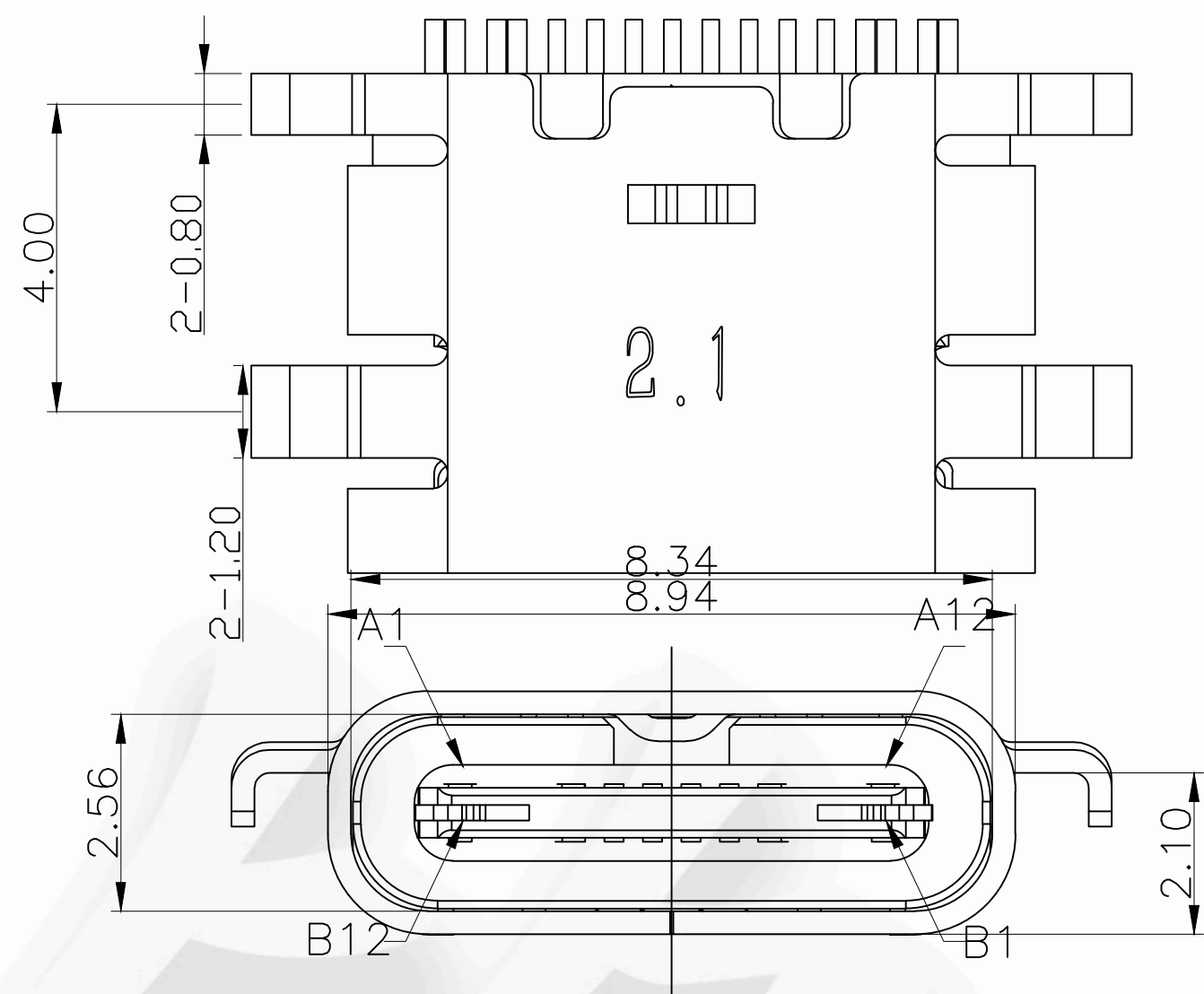




REV	DESCRIPTION	DATE	APPROVED
A	新板发行	2020. 11. 06	HHM



NOTE:  
备注:

1.MATERIAL SPECIFICATION:  
1.材料规格:  
1-1.HOUSING:HIGH TEMPERATURE RESISTANT PLASTIC,UL94 V-0.  
1-1.胶芯材料: 高温塑胶, 防火等级UL94 V-0  
1-2.TERMINAL: COPPER ALLOY  
1-2.端子材料: 铜合金  
1-3.FRONT SHELL: STAINLESS STEEL  
1-3.外壳材料: 不锈钢  
1-4.MID PLATE: STAINLESS STEEL  
1-4.中夹片: 不锈钢

2.PLATING SPECIFICATION:  
2.电镀规格:  
2-1.TERMINAL:  
2-1.端子:  
Ni 50u" MIN. UNDER PLATED OVER ALL.  
镀镍底 50u" MIN.  
Au PLATED 0.5~1u" OVER Ni  
表面刷金0.5~1u"  
2-2.FRONT SHELL:  
2-2.外壳:  
Ni 50u" MIN. PLATED OVER ALL.  
镀镍底 50u" MIN.

3.MECHANICAL PERFORMANCE,  
3.机械性能,  
3-1.INSERTION FORCE: 0.5~2.0kgf.  
3-1.插入力: 0.5~2.0kgf.  
3-2.REMOVAL FORCE: 0.6kgf~2.0kgf.  
3-2.拔出力: 0.6kgf~2.0kgf.  
3-3.DURABILITY: 10000 CYCLES.  
3-3.插拔寿命: 10000次.

4.ELECTRICAL PERFORMANCE,  
4.电气性能,  
4-1. VOLTAGE RATING: 5.0V DC/AC  
4-1. 额定电压: 5.0V DC/AC  
CURRENT RATING: 2.0A  
额定电流: 2.0A  
4-2. LLCR: 50mΩ/PIN MAX.  
4-2. 接触阻抗: 50mΩ/PIN MAX.  
4-3.INSULATION RESISTANCE: 100MΩ MIN  
4-3. 绝缘阻抗: 100MΩ MIN  
4-4.DIELECTRIC WITHSTAND VOLTAGE,AC 100V FOR 1 MINUTE.  
4-4. 耐电压: AC 100V FOR 1 MINUTE.

5. ENVIRONMENTAL PERFORMANCE:  
5. 环境特性:  
OPERATING TEMPERATURE: -25°C~+85°C.  
工作温度: -25°C~+85°C.

PIN ASSIGNMENTS

A1	GND	B9	VBUS
A5	CC1	B5	CC2
A12	GND	B4	VBUS
PIN	SIGNAL NAME	PIN	SIGNAL NAME

RECOMMEND P.C.B LAYOUT(COMPONENT SIDE)  
TOLERANCE FOR PCB LAYOUT IS ± 0.05

CUSTOMER DRAWING			铭创科技(东莞)有限公司 Mingchuang Technology (Dongguan) Co., Ltd		
UNITS mm	SCALE 1:1	SHEET	TITLE TYPE C母座16PIN 沉板2.1 四脚插板SMT L=6.5 5A电流		
PROJECTION: 	DRAW: DAP		MAT'L SEE TABLE		FINISH SEE TABLE
GENERAL TOLERANCE 0. ±0.30 0.0 ±0.20 0.00 ±0.10 0.° ±10° 0.0° ±8°		CHECK: HWT	DWG. NO. 1608. TCF. 16CB. H97		PART NO. _____ SIZE A4
		APPD: HHM			