

REV	DESCRIPTION	DATE	APPROVED
A	新板发行	2020. 11. 06	HHM

NOTE:
备注:

1.MATERIAL SPECIFICATION:
1.材料规格:
1-1.HOUSING:HIGH TEMPERATURE RESISTANT PLASTIC,UL94 V-0.
1-1.胶芯材料: 高温塑胶, 防火等级UL94 V-0
1-2.TERMINAL: COPPER ALLOY
1-2.端子材料: 铜合金
1-3.FRONT SHELL: STAINLESS STEEL
1-3.外壳材料: 不锈钢
1-4.MID PLATE: STAINLESS STEEL
1-4.中夹片: 不锈钢

2.PLATING SPECIFICATION:
2.电镀规格:
2-1.TERMINAL:
2-1.端子:
Ni 50u" MIN. UNDER PLATED OVER ALL.
镀镍底 50u" MIN.
Au PLATED 0.5~1u" OVER Ni
表面刷金0.5~1u"
2-2.FRONT SHELL:
2-2.外壳:
Ni 50u" MIN. PLATED OVER ALL.
镀镍底 50u" MIN.

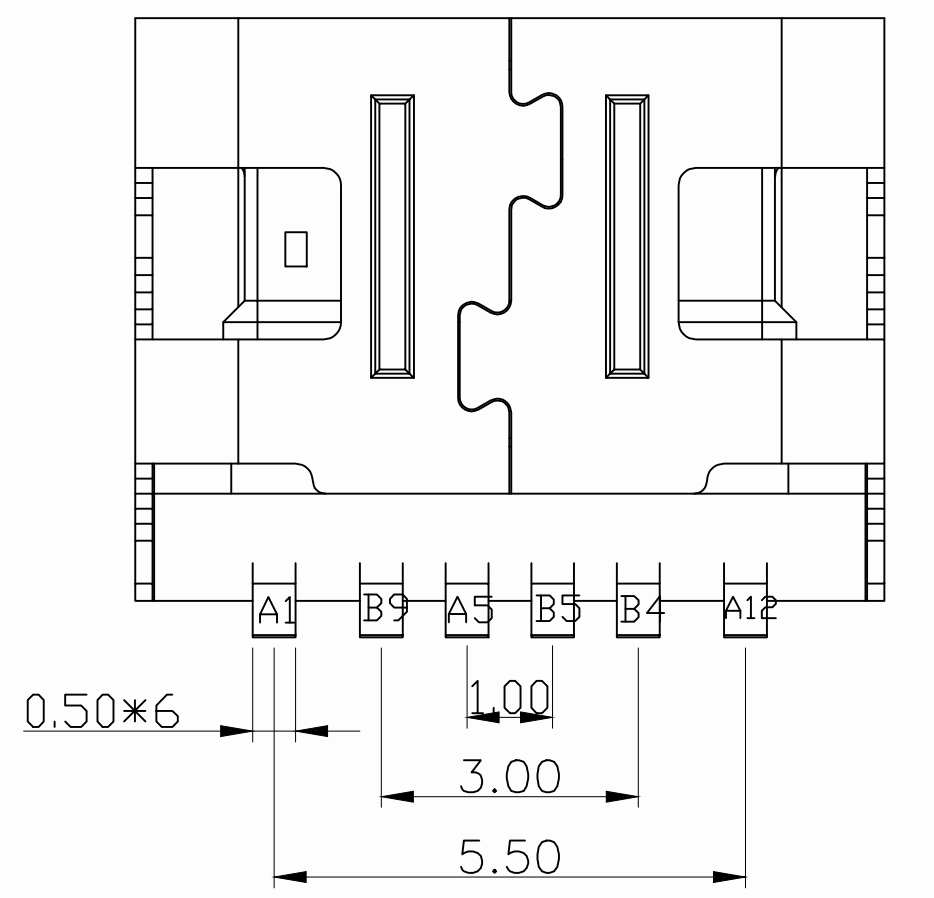
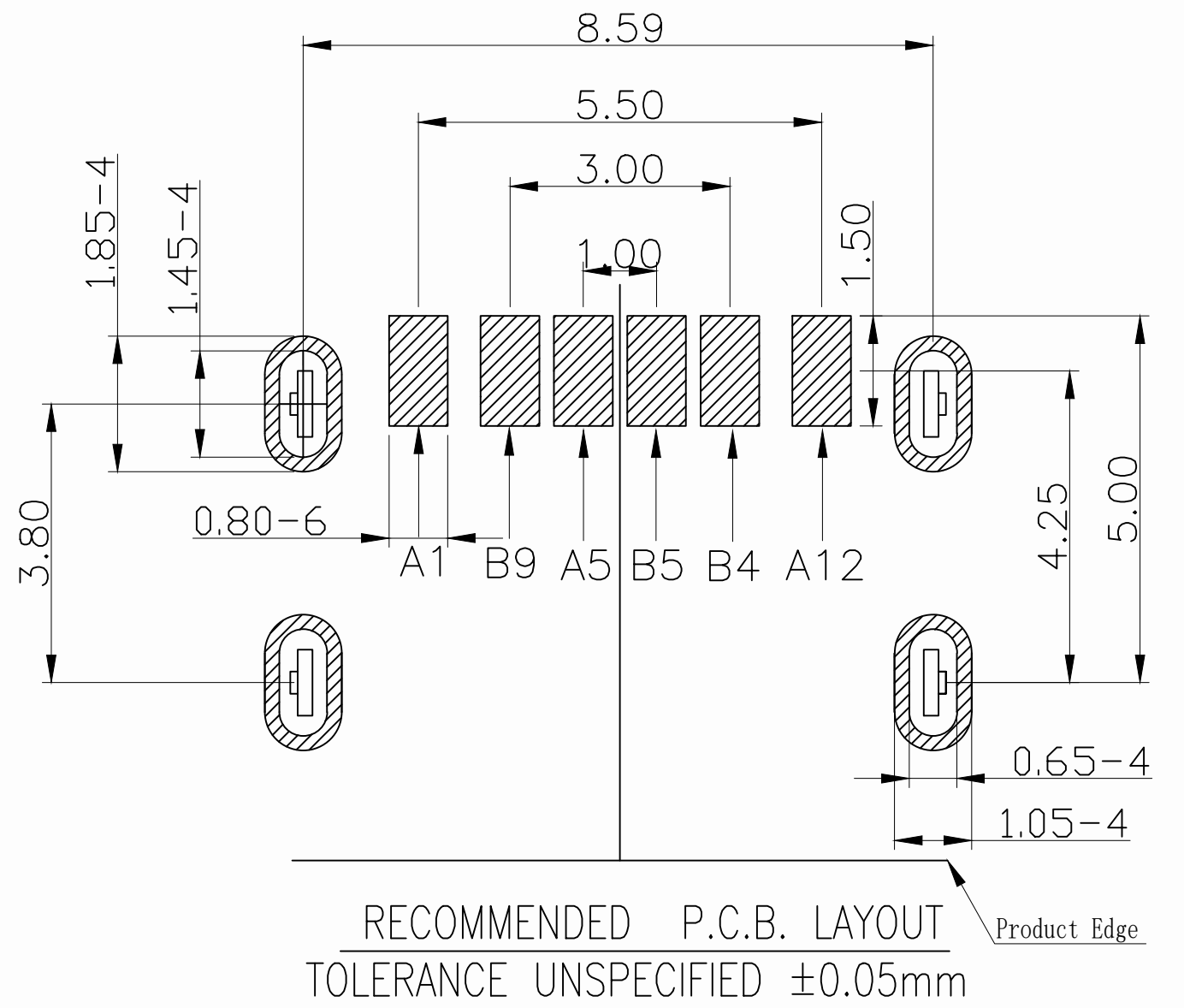
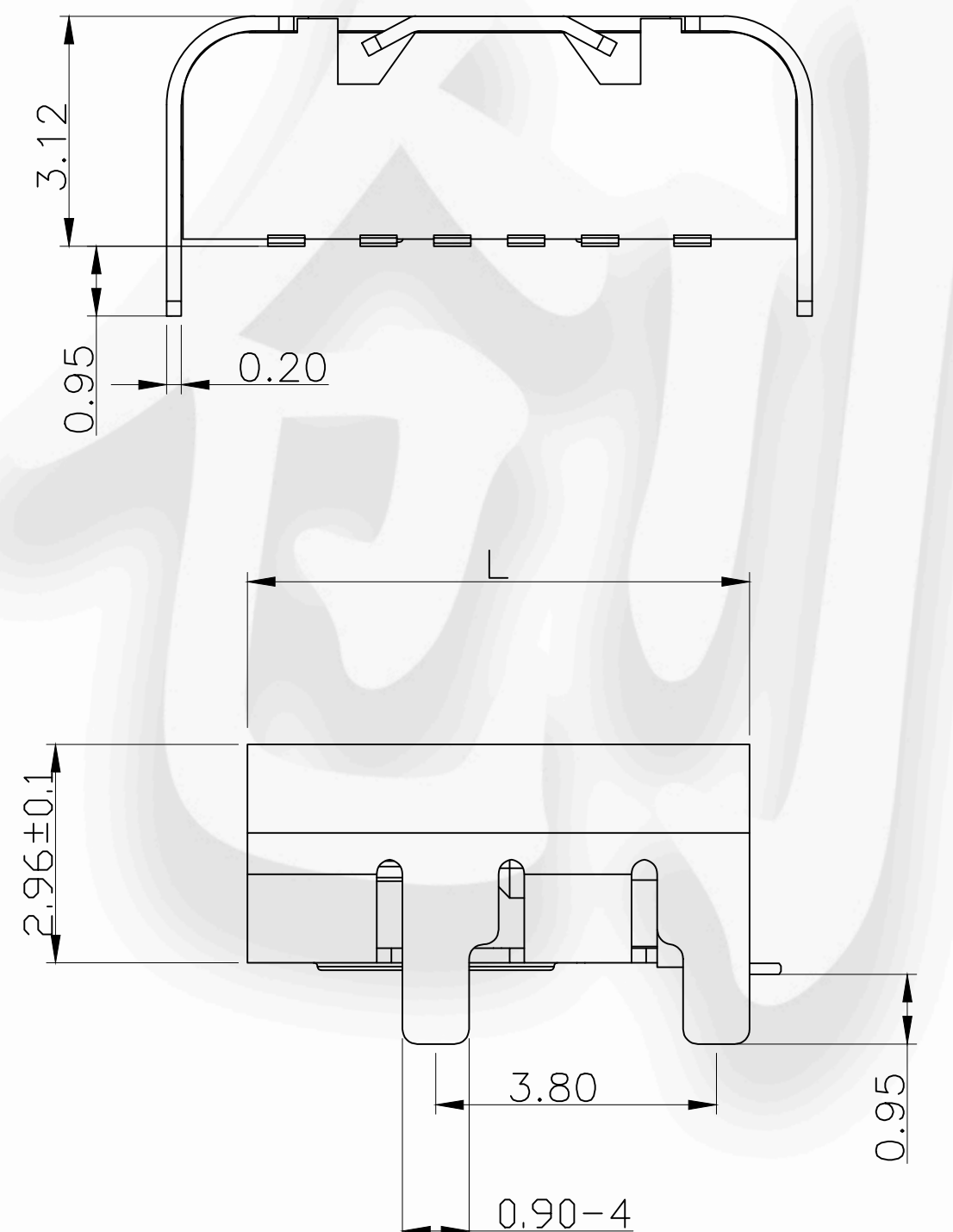
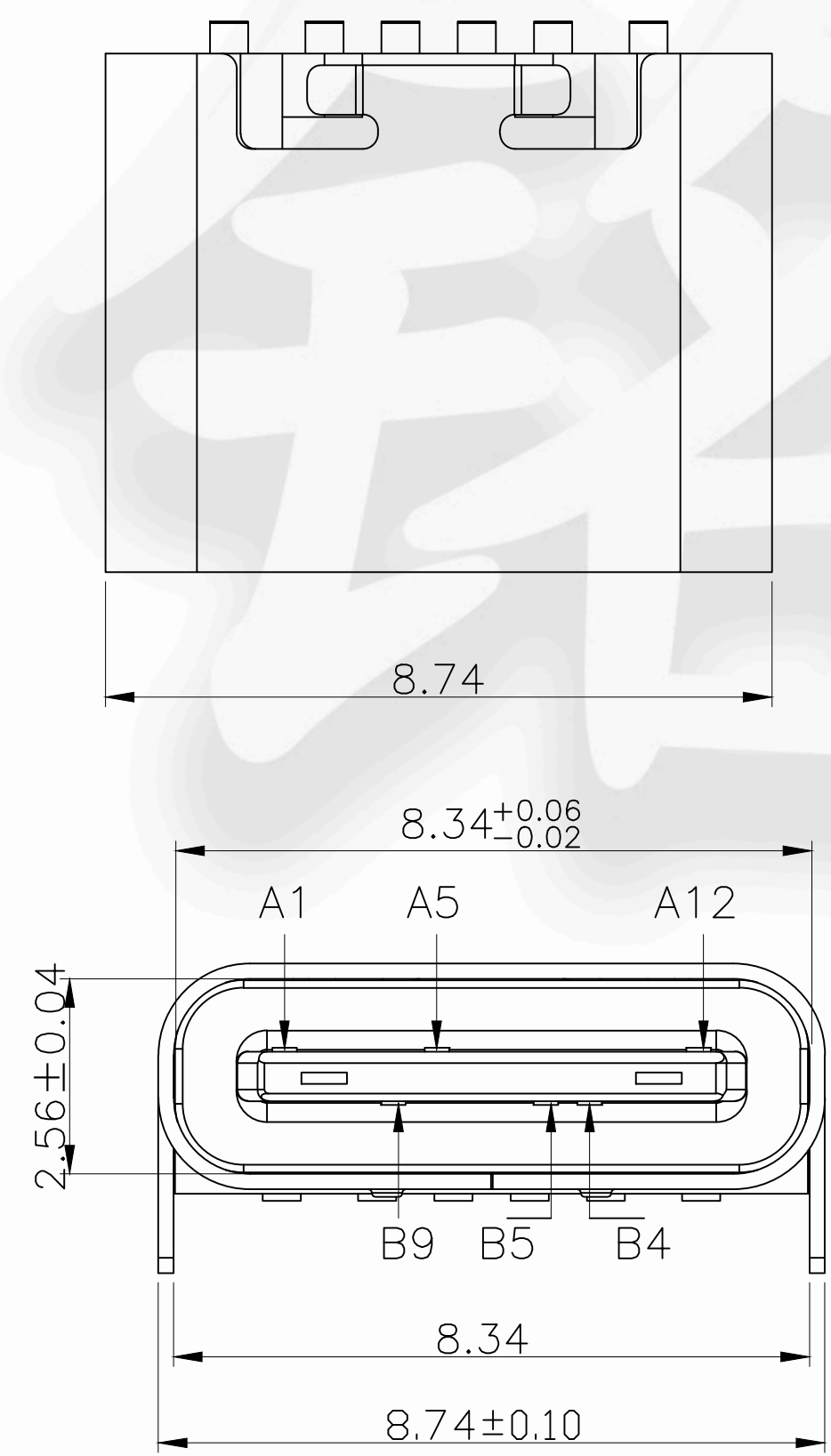
3.MECHANICAL PERFORMANCE,
3.机械性能,
3-1.INSERTION FORCE: 0.5~2.0kgf.
3-1.插入力: 0.5~2.0kgf.
3-2.REMOVAL FORCE: 0.6kgf~2.0kgf.
3-2.拔出力: 0.6kgf~2.0kgf.
3-3.DURABILITY: 10000 CYCLES.
3-3.插拔寿命: 10000次.

4.ELECTRICAL PERFORMANCE,
4.电气性能,
4-1. VOLTAGE RATING: 5.0V DC/AC
4-1. 额定电压: 5.0V DC/AC
CURRENT RATING: 2.0A
额定电流: 2.0A
4-2. L LCR: 50mΩ/PIN MAX.
4-2. 接触阻抗: 50mΩ/PIN MAX.
4-3.INSULATION RESISTANCE: 100MΩ MIN
4-3.绝缘阻抗: 100MΩ MIN
4-4.DIELECTRIC WITHSTAND VOLTAGE,AC 100V FOR 1 MINUTE.
4-4.耐电压: AC 100V FOR 1 MINUTE.

5. ENVIRONMENTAL PERFORMANCE:
5. 环境特性:
OPERATING TEMPERATURE: -25°C~+85°C.
工作温度: -25°C~+85°C.

PIN ASSIGNMENTS

A1	GND	B9	VBUS	L	L = 6.8
A5	CC1	B5	CC2	L	L = 6.5
A12	GND	B4	VBUS	L	L = 6.5
PIN	SIGNAL NAME	PIN	SIGNAL NAME	L	L = 6.5



CUSTOMER DRAWING			铭创科技(东莞)有限公司		
UNITS mm	SCALE 1:1	SHEET	Mingchuang Technology (Dongguan) Co., Ltd.		
PROJECTION: 	DRAW: DAP		TITLE TYPE C母座6PIN 2.0新款 板上四脚插板SMT L=6.5		
GENERAL TOLERANCE 0. ±0.30 0.0 ±0.20 0.00 ±0.10 0.° ±10° 0.0° ±8°		CHECK: HWT	MAT'L SEE TABLE		FINISH SEE TABLE
		APPD: HHM	DWG. NO. 1614. TCF. 6BS. H97	PART NO.	SIZE A4